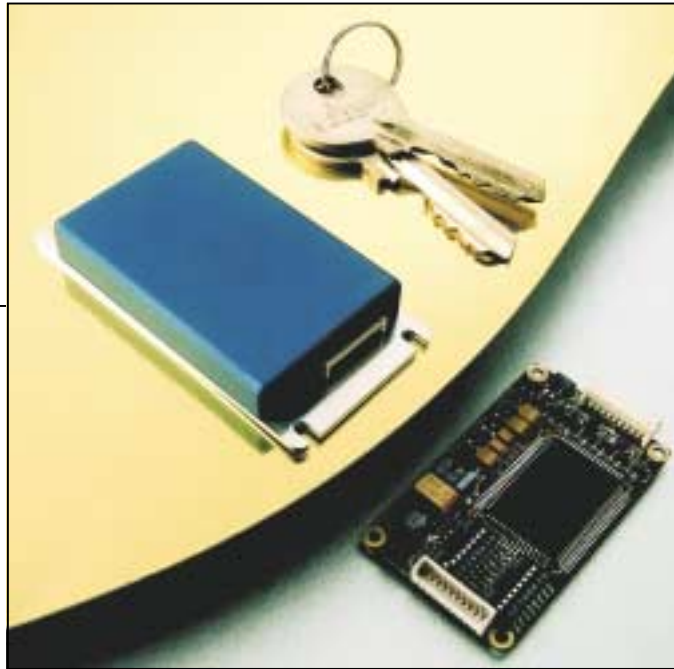


Micro-**VIEW**LOCK II

VIDEO ENCRYPTION SYSTEM



Ultra-Compact Video Encryption System

Ultra-compact line cut and rotate encoder or decoder.

Fully Viewlock II video encryption compatible.

Optimised for use with microwave video surveillance links.

Ideal for battery operation: DC powered with low current drain (7 to 32 V DC, 45 mA at 12 V).

Supplied as housed unit or PCB for simple installation into other video equipment.

Micro-Viewlock II is an ultra-compact version of Viewlock II, the leading video encryption system for securing law enforcement microwave video surveillance links from interception.

Micro-Viewlock II consists of a package of only 67 x 32 x 10 mm (or a PCB of 50 x 30 mm). It has been designed for highly covert applications, such as body-worn video surveillance, or for integration within other video transmission equipment.

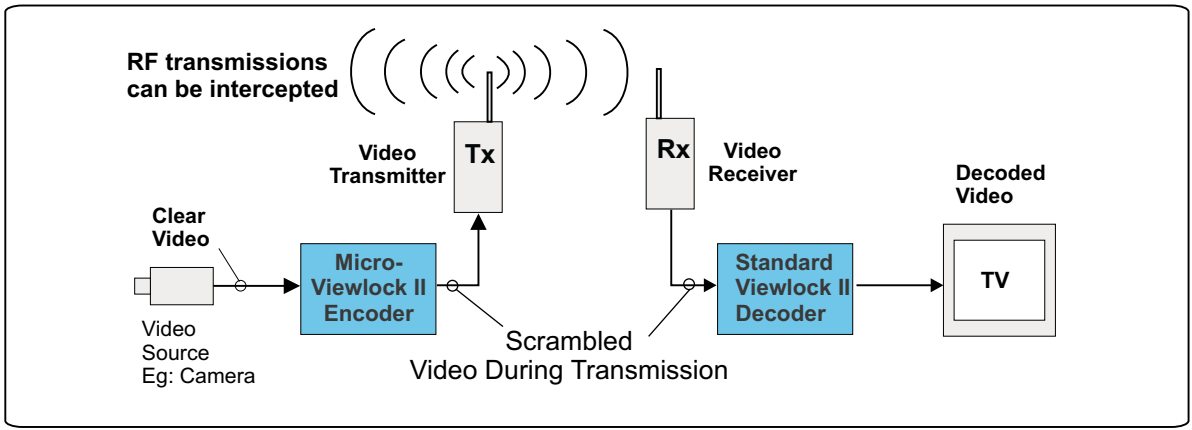
Even though it is such a small package, Micro-Viewlock II retains all the key features that have made the standard system so successful. These include dynamic line cut and rotate video scrambling and outstanding in-service characteristics such as fast lock-in time and excellent resilience to multi-path and noise interference. It is even possible to download secondary keys, together with other configuration data, via the system's serial data port adapter.

Micro-Viewlock II ensures that even the most covert of surveillance links can now be securely encrypted.

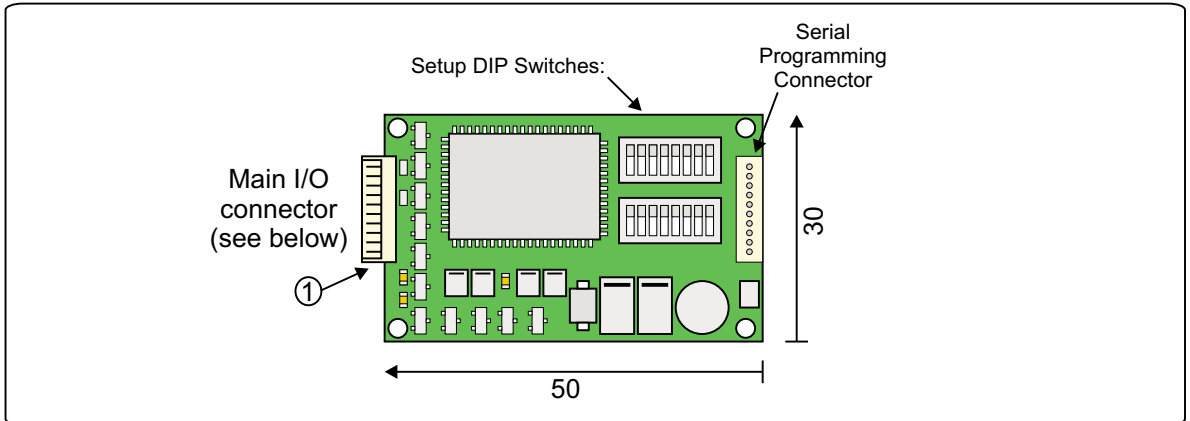


Ovation Systems Ltd
Great Haseley Trading Estate
Great Haseley
Oxfordshire, OX44 7PF, UK

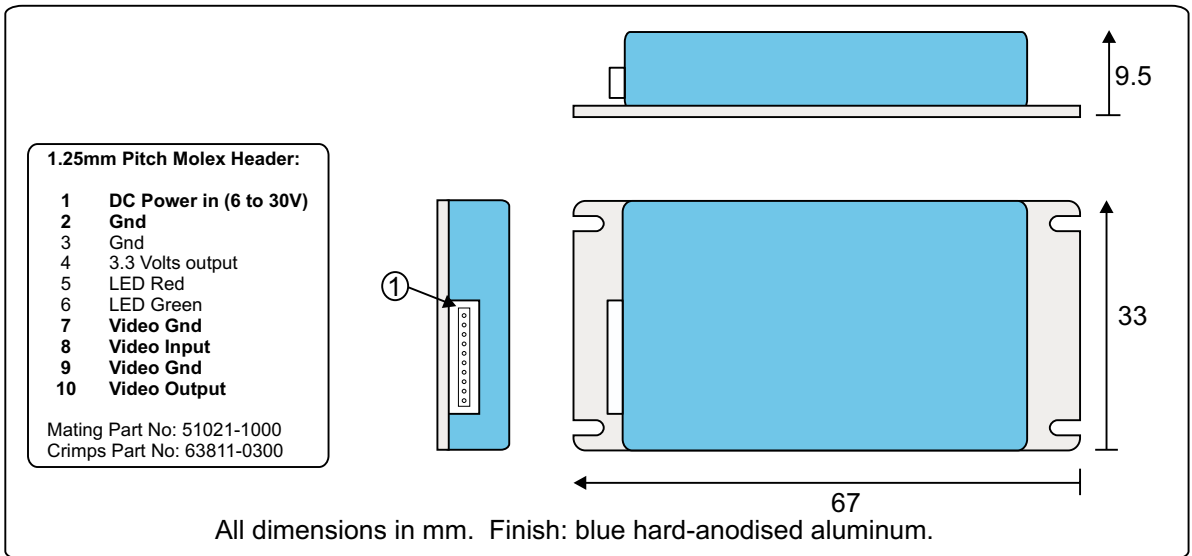
Imported by Opto Vision France
Tel : 33-(0)5 61 76 51 11
Email: info@optovision.fr
Web site: www.optovision.fr



Typical Micro-Viewlock II Application.



Micro-Viewlock II PCB Details



Micro-Viewlock II Dimensions and Interfaces.

Outline Specification			
General:		Video:	
Operating temperature range	-10 to +55°C.	Video standards supported	PAL, NTSC (auto-detect).
Mechanical size (housed)	9.5 x 33 x 67 mm.	Video Input / output levels	1 Vpp into 75 Ω
Mechanical size (PCB only)	8 x 30 x 50 mm.	Lock-in time	< 0.5 second.
Finish	Anodised aluminum.	Scrambling method	Line cut and rotate
Weight (housed)	25 g.	Encryption	Viewlock II compatible.
DC power / video / LED connector	1.25mm Molex male.	Signal to noise	> 55 dB weighted.
Operating voltage range	7 to 32 V DC.	Audio:	
Power consumption	<0.55 Watts (< 45 mA at 12 V DC).	Not supported	
Standard accessories	User guide, mating cable.		

Please note, the above information is preliminary and Ovation Systems reserves the right to change specifications without notice. E&OE.