

Specification

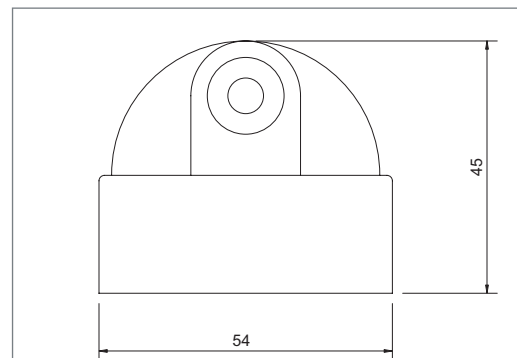
Dome CCD Camera

CCD DOME CAMERA					
Item NO.		MS-C _B 340	MS-B _B 640	MS-C _B 440	MS-B _B 840
Video system.	NTSC/PAL (Color) & EIA/CCIR (BW)				
Number of Effective Pixels	PAL(CCIR)	500x582	752x582	500x582	752x582
	NTSC(EIA)	510x492	768x494	510x492	768x494
CCD Image Sensor	1/3" Interline CCD		1/4" Interline CCD		
Scanning System	2:1 INTERLACE				
Synchronization	INTERNAL				
Resolution (TV Lines)	COLOR	380	470	350	470
	B/W	420	570	420	570
S/N Ratio	more than 48dB				
Minimum Illumination	0.2Lux / F 1.2 (color) & 0.02Lux / F 1.2 (BW)				
Electronic Shutter	1/50 - 1/120000 & 1/50 - 1/100000				
Horizontal Sync Frequency	NTSC(EIA)-15.734kHz / PAL(CCIR)-15.625kHz				
Vertical Sync Frequency	NTSC(EIA)-60Hz / PAL(CCIR)-50Hz				
Gamma Consumption	0.45				
Video Output	1Vp-p , 75ohms Composite				
Audio Output	Frequency 20-16000Hz,S/N ratio more than 58dB (Optional)				
Built-In Lens	3.6mm/F2.0				
Lens Angle	3.6mm/92 Degree		3.6mm/70 Degree		
Storage Temperature	-30 to 60 Degree C				
Working Temperature	-10 to 45 Degree C				
Power Source	DC 12V(standard)				
Power Current	150mA(max)				
Dimensions (mm)	MINI 54(W)x45(H)mm				



MS-C_Bx40x

Dimensions



Unit: mm (Approx)

Other angle lens please inquire for details.

Ordering Information

MODEL	PIN HOLE	MIC	NOTE
MS-C340	3.6mm / F2.0		1/3" CCD M.RES
MS-C640	3.6mm / F2.0		1/3" CCD H.RES
MS-C440	3.6mm / F2.0		1/4" CCD M.RES
MS-C840	3.6mm / F2.0		1/4" CCD H.RES
MS-B340	3.6mm / F2.0		1/3" CCD M.RES
MS-B640	3.6mm / F2.0		1/3" CCD H.RES
MS-B440	3.6mm / F2.0		1/4" CCD M.RES
MS-B840	3.6mm / F2.0		1/4" CCD H.RES
MS-C340A	3.6mm / F2.0	X	1/3" CCD M.RES
MS-C640A	3.6mm / F2.0	X	1/3" CCD H.RES
MS-C440A	3.6mm / F2.0	X	1/4" CCD M.RES
MS-C840A	3.6mm / F2.0	X	1/4" CCD H.RES
MS-B340A	3.6mm / F2.0	X	1/3" CCD M.RES
MS-B640A	3.6mm / F2.0	X	1/3" CCD H.RES
MS-B440A	3.6mm / F2.0	X	1/4" CCD M.RES
MS-B840A	3.6mm / F2.0	X	1/4" CCD H.RES

NOTE:

1/4" CCD **M.RES.** :M: Medium resolution ; **H:** High resolution
MS-C440**A:** W/Microphone

Feature

- High Quality picture.
- Compact size.
- Mirror function:ordering in advance.
- Microphone Built-in Optional.
- Backlight compensation.
- Auto white balance.
- Equipping Electronics-Auto-Iris.
- Exchange for any kind of lens.
- High speed white balance mode(1Fild).
- High performance.
- Outstanding quality.
- Competitive price.

Other types

 <p>MS-C342</p>	 <p>MO-D440 CMOS MINI CAMERA</p>	 <p>MS-C446</p>	 <p>MS-B345 Hidden CCD Camera</p>
--	---	---	--