



## 1/3" CCD Color Board Camera 32x32mm

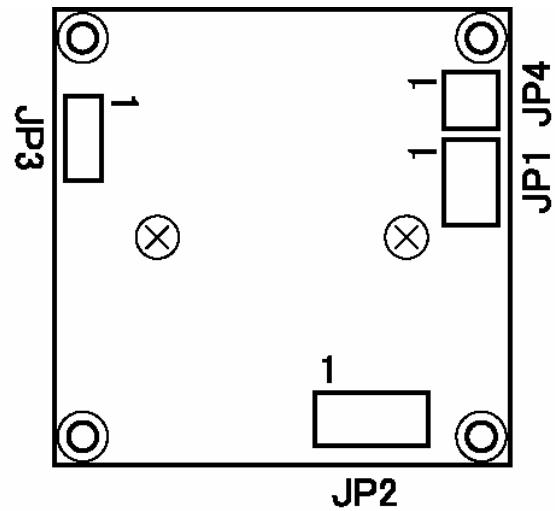
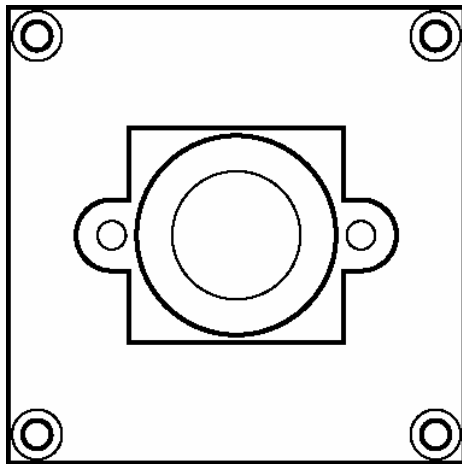
Model: PK-265 (PAL)

- High Resolution
- Low Noise
- Video Iris Signal output (Option factory setting)
- Auto setup level adjustment



### [ Specifications ]

Model	PK- 265	Remarks
Image Sensor Device	1/3" Inter-line type CCD	
Scanning System	2 : 1 Interlace	
TV System	PAL	
Effective Picture Elements	752(H) x 582(V)	
Scanning Frequency	15.625KHz (H) 50.0Hz(V)	
Minimum Illumination	0.4lx (at F1.4 / Video output 50% / AGC=ON Max)	
S/N ratio	48 dB or greater	Luminance sig. AGC=OFF
Resolution	350 TV Lines	Luminance sig. At lens centre
Video Output	1.0Vpp / 75 ohms	
Electronic Shutter (Iris)	1/50 to 1/120,000 sec. selectable	
Gamma Correction	$\gamma = 0.45$	
Setup Level Correction	Auto	
AGC ( 0 dB to +18 dB)	ON/OFF	
White Balance	ATW/AWB	
BLC feature	ON/OFF selectable	
Mirror function	ON/OFF selectable	
Standard Lens	f=3.0mm/F2.8 fixed focus (Plastic holder)	
Power Requirement	DC +12V $\pm$ 10%	
Current Consumption	Max. 90mA at DC12.0V	
Dimensions	32 mm(W) x 32 mm(H)	
Operation Temp. / Humidity	-5°C to +45°C / Rh 0 to 80%	
Storage Temp. / Humidity	-20°C to +60°C / Rh 0 to 90%	
Weight	Approx. 6g without Lens	



**JP1:Function Connector(BM05B-SRSS)**

**SHR-05V-S(JST)**

- 1.GND
- 2.BLC (On/Off)
- 3.H-Mirror (Normal/Mirror)
- 4.AGC (Off/On)
- 5.ATW/AWC (ATW/AWC)  
(OPEN/GND)

**JP2: I/O Connector (53398-0571)**

**51021-0500(molex)**

- 1.DC-in
- 2.GND
- 3.Monitor(Optional)
- 4.Video

**JP3:Serial Connector (SM06B-SURS)**

**06SUR-32S(JST)**

- 1.+3.3v Out
- 2.SDO
- 3.SDI
- 4.STB
- 5.SCK
- 6.GND

**JP4: VideoIRIS Connector (BM020B-SRSS)**

**SHR-02V-S(JST)**

- 1.GND
- 2.VideoIris out

( E/E =OFF shall be set at factory for  
Auto iris lens use )