

# WTK-363

NEW

## Traffic Control Camera

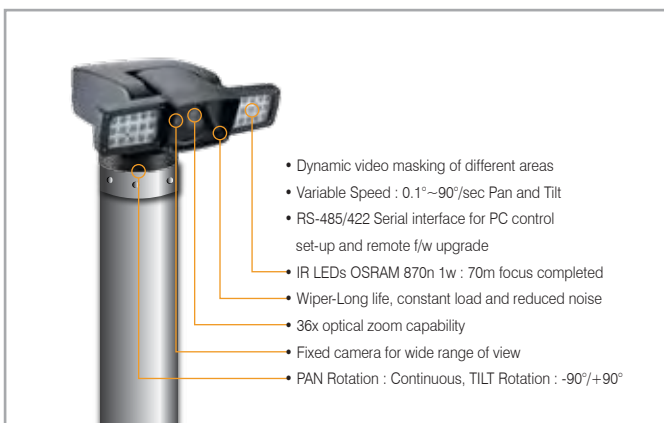
- ❖ 36X zoom camera
- ❖ 610 K pixels
- ❖ PIP Dual camera
- ❖ Super IR 30PCS



### FEATURES

- **Traffic Control PIP Dual Camera System.**
  - Eliminate blind spots while pursuing targets with the Fixed SONY CCD camera and the Auto Focus Zoom camera.
  - No extra device needed for PIP.
  - PIP On/Off.
- Up to 255 preset positions.
- Variable speed control for all motorized functions. (pan, tilt, zoom, focus & wiper)
- 360° unobstructed rotation using the heavy duty long life slip ring.
- All weather, lightweight, high impact aluminum die-cast enclosure(IP66).
- PIP (Picture in Picture) dual camera system.
- Break and clutch protected pan and tilt.
- Environmental and air flow control for internal fan/heater and air circulation.
- Built-in wiper system for constant load and reduced noise.

### KEYPOINT



### SPECIFICATIONS

#### MECHANICAL

Pan	Angle	360° Continuous pan
	Manual Speed	0.1° to 90°/sec (64 step proportional to zoom)
	Preset Speed	150°/sec, ±0.1° Accuracy
Tilt	Angle	180°(±90°)
	Manual Speed	0.1° to 90°/sec (64 step proportional to zoom)
	Preset Speed	150°/sec, ±0.1° Accuracy
Dimensions	392.01(W) x 211.19 (H) x 389.45 (D)	
Weight	less then 12.5Kg	
Motor	Holding Torque	13.5Kgf/cm, 1.35N.m
	Step Angle	1.8° Deg.
	Winding Type	Bipola

#### ENVIRONMENTAL

Ingress Protection	IP66	
Construction	Aluminum	
Temperature	Operating	-40°C to 70°C
	Storage Temp	-20°C to 60°C
Temperature	Fan	-10°C to 40°C (4 step control)
	Heater	-10°C to 0°C (4 step control)
Operating Control	Humidity	50% to 90% (4 step control)

#### COMMUNICATION

PTZ Control	Method	RS-422(4 wire), RS-485(2 wire)
-------------	--------	--------------------------------

#### ELECTRICAL

Power	Voltage	DC11.5V ~ DC30V, AC15 ~ AC30V(60HZ), Dual Power
	Current	Operating(3A), Max(4.0A, IR light on, Heater on)
	Heater / Fan	10W, 3.4W

#### VIDEO

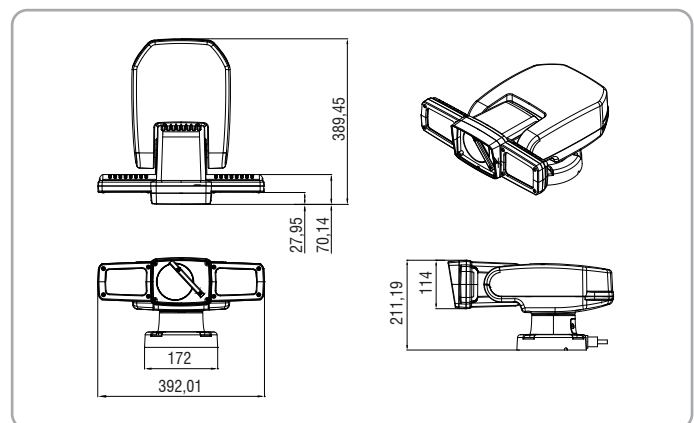
Camera	Main Zoom Camera	610K pixels WE Zoom Camera
	Sub Camera	Board Camera, Color 410K
Video Output	Output	2 Port, Main + Sub(PIP),Sub Only, *PIP(4 Position)

#### IR ILLUMINATION

IR LED	Length	200m (Manual Focusing)
	Power	OSRAM 870n, 1W, 30EA

### DIMENSIONS

Unit : mm



# WTK-363

NEW

## Traffic Control Camera

### CAMERA SELECTION

MODEL	WCA-E361NR / WCA-E361PR
Image Sensor	1/4" SONY Super HAD II CCD
Effective Pixels	NTSC: 520K, PAL: 410K Pixels
Lens	Optical 36x, Digital 32x (Total :1152x) f=3.4 to 122.4mm(F1.6 to 4.5)
Digital Zoom	ON/OFF(Max. 32x)
Angle Field of View	H : 57.8° (wide) to 1.7° (tele)
Scanning System	Interlace
Synchronization	Internal
Frequency	NTSC: 15.734 Khz(H), 59.94 Hz(V) PAL: 15.625 Khz(H), 50.00 Hz(V)
Resolution	700 TV Lines in Color
Min. Illumination	0.001 Lux (Color DSS)
S/N (Y signal)	more than 50 dB (AGC off)
Video Output	CVBS : 1.0Vp-p/75Ω
Focus	Auto / Manual / One-Push
IRIS Control	1 ~ 18
Camera Title	ON/OFF
Day & Night	ON/OFF (IR Cut Filter Removable)
Gain Control	On / Off (Max 30dB)
White Balance	ATW/ One push/ Indoor/ Outdoor/ Manual/ Auto
Intelligent	Privacy Mask, Motion detection, Object detection functions
Electronic Shutter Speed	22 steps 1/1 to 1/10,000
Control Output	2400, 4800, 9600, 19200, 38400 bps
Scene Mode	User/ Normal/ Traffic/ Back Light/ Day&Night/ Casino
Operating Temperature	-40° ~ 70° C (Fan /Heater power ON)
Weight	12.5kg
Dimensions	392.01 (W) x 211.19 (H) x 389.45 (D)

### PIP (Picture in Picture)



### Auto ICR

These cameras offers optimal sensitivity in both day- and night-shooting applications. At a set level of darkness, the IR-cut filter is automatically disabled (ICR ON) and the near-infrared sensitivity is increased. At a set level of brightness, the filter is automatically enabled (ICR OFF). The IR-cut filter automatically engages depending on the ambient light, allowing the camera 24/7 operation in a variety of lighting conditions.

### GEAR

Heavy-duty Slip Ring allows for long-lasting unobstructed 360° rotation and 180° flip.



### 360° Endless Pan Rotation(-90° to 90° Tilt Angle)



### APPLICATION

