



BF-M11-24

2MP HD-SDI Mini Bullet Camera

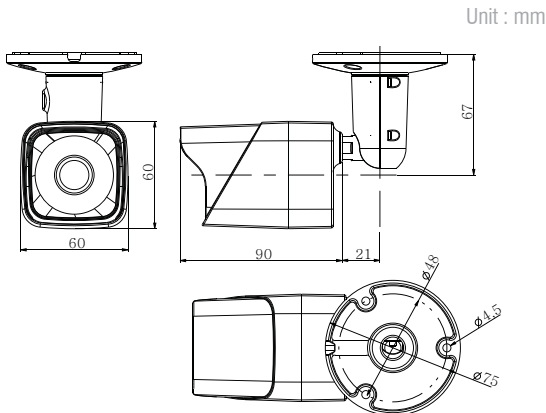
HD-SDI



FEATURES

- 1/2.9" Sony "Exmor" CMOS Sensor
- Full HD Resolution: 1080p 30fps/ 720p 60fps
- 24 IR LEDS
- 4mm Mega Pixel Fixed lens
- WDR (Wide Dynamic Range)
- True D&N IR Cut Filter Mechanism(TDN)
- DNR (Digital Noise Reduction: 2D + 3D)
- Privacy Mask Function
- Intelligent Motion Detection
- Defog Function: Defogging foggy video image
- Built-in OSD Control joystick
- IP66 Outdoor Housing

DIMENSIONS



SPECIFICATIONS

MODEL	BF-M11-24
Image Sensor	1/2.9" Sony "Exmor" CMOS Sensor
Total Pixels	2,000(H) x 1,121(V), 2.24M Pixels
Active pixels	1,936(H) x 1,105(V), 2.12M Pixels
Scanning system	Progressive
Resolution	Digital ; 1920x1080p(1080p/30fps) , 1280x720p(720p/60fps)
Min. illumination	Color : 0.5 lux , BW : 0.1lux Color DSS : 0.002 lux , BW DSS : 0.001 lux
Video Output	BNC(HD-SDI)
Lens	4mm Fixed Lens
S/N Ratio	more than 50dB (AGC off)
BRIGHTNESS	0 ~ 20 steps
LENS	DC / Manual
SHUT SPEED	Auto / Manual (1/30(1/25) ~ 1/60000)
FLICKERLESS	Off / On
DSS	Off / x2 / x3 / x4
AGC	Off / On
WDR/BLC	Off / WDR / BLC
DAY&NIGHT	Auto / Day / Night / Ext
WHITE BAL	Auto / One Push / Manual / Indoor / Outdoor
SHARPNESS	0 ~ 10 steps
MIRROR	Off / H / V / H&V
FREEZE	Off / On
E.ZOOM	Off/ Max x2~x32
HLC	Off / On
ACE	Off / Low/Middle/High
DNR	Off / Low / Middle / High / Auto
D.COMPRESS	Off / On
PRIVACY	24 points
MOTION	3 points
DEFECT DET	One Push (Enter)
DEFOG	Off / On
HD FORMAT	1080P / 720P
Language	English,Japanese,Chinese
Power Source	DC12V±10%
Power Consumption	Max 700mA
Power Input	DC jack
Operating Temperature	-10℃ ~ +50℃ (Humidity : 0%RH ~ 80%RH)
Storage Temperature	-20℃ ~ +60℃ (Humidity : 0%RH ~ 90%RH)
Weight	Approximately 0.42kg

Compatible HD DVR Configuration



WH-410/710: 4/7CH HD DVR

Up to
4 & 7 HD Cameras



MOBILE VIEWER

