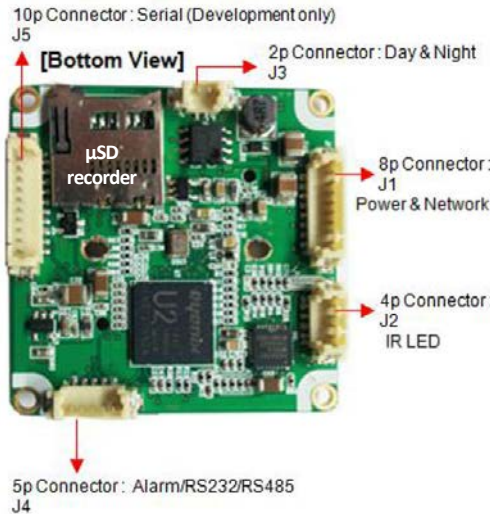
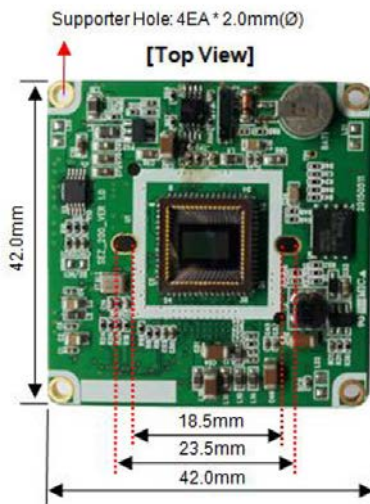




LIP-200MB

Full HD(1080p), IP NETWORK MODULE



- *Caméra monocarte IP Full HD*
- *Système d'exploitation à démarrage immédiat*
- *Double flux H.264 / MJPEG*
- *Enregistreur SDHC intégré*
- *Filtre ICR Jour/Nuit escamotable (option)*
- *Alimentation 12VDC ou POE (option)*

▲ LIP-200MB



IP CAMERA

Features

- Full HD (1080P) IP Network Module
- Real time OS : Booting time less than 5 seconds
- One board design with low power consumption
- 1/ 2.7" 2Megapixel CMOS sensor
- H.264 / H.264 or H.264 / MJPEG Dual Streaming
- Min. Illumination: 0.2Lux(Color), 0.01Lux(B/W)
- True Day & Night, AGC, AE, AWB, BLC, Sens-up
- Board size(mm): 42x42
- μSDSD Memory Slot (option)
- Power: DC12V as standard, Options: PoE802.3af on 2nd board, or ext. POE module
- Circuit diagram with pin-out offered for IR LEDs
- ONVIF, CGI/API Support

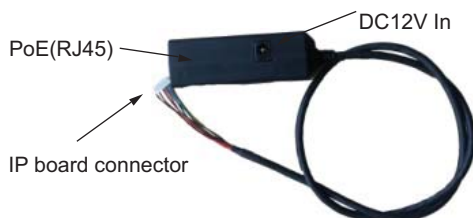
Specifications

ITEM	LIP-200MB
Image Sensor	1/2.7" 2MP Progressive Scan CMOS Sensor
Min. Illumination	0.2Lux(Color), 0.01Lux(B/W)
Operating System	Realtime OS with less than 5 seconds booting time
Shutter Speed	1/25 ~ 1/10,000sec
Flip Mode	Horizontal, Vertical
Motion Detection	Yes(1 zone)
Privacy Zone	Yes(1 zone)
Image Enhance	True Day & Night, AGC, AE, AWB, BLC, Sens-up
Video Compression	H.264, MJPEG
Frame Rate	Max. 30fps@1080p
Resolution	CIF, VGA, 720p, 1080p
Network Interface	Ethernet 10/100Base-T(RJ45)
Video Encoding	H.264 / MJPEG, or H.264/H.264 Dual Streaming
Protocol	HTTP, TCP/UDP/IP, RTP/RTSP, DHCP, UPnP, ONVIF
Transmission Control	VBR, CBR(32Kbps ~ 10Mbps)
Event Source	Motion, Sensor Input(option)
Local Storage	Micro SD Memory Slot(option)
Language	English
Operating Temp.	-10°C ~ 60°C(14°F ~ 140°F) / 20% ~ 80%
Dimension(Unit : mm)	42(W) x 42(D) / About 100g
Power Source(option)	DC12V/1.6W, PoE(802.3af)

<Note> Design and specifications are subject to change for product improvements without prior notice.

Accessories

- External Power Module(DC12V input + PoE)

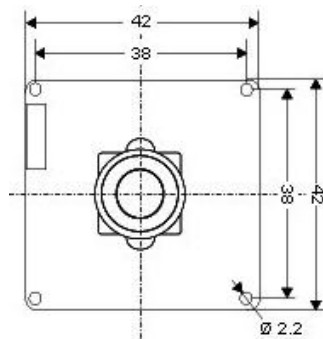


M12 Board lens holder

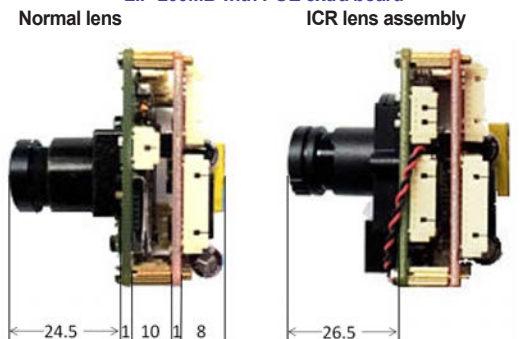


Optional M12x0.5 board Lens : 2.8, 3.6, 4.3, 6, 8, 12, 16 & 25 mm, or 2.8~12mm Varifocal, or fixed lens with ICR cut filter

Dimension(mm)



LIP-200MB with POE extra board



Optional LED crowned around Lens mount : Active at same time as ICR cut filter