



Outstanding visibility

2.0MP IP Mini Square Camera



- ✓ Sony Starvis CMOS Sensor
- ✓ Best image quality with True WDR
- ✓ SD recorder built-in
- ✓ Digital Day&Night, Anti-Fog
- ✓ Motion detection & Privacy mask

STARVIS



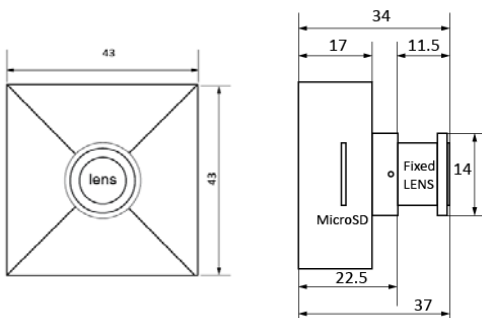
Model : **LIP-291M**



Features

- 1/2.8" 2.1MP Progressive CMOS sensor
- H.264/H.264/MJPEG Triple Streaming
- Min. Illumination: 0.001 Lux
- WDR, Digital Day & Night, BLC, HLC, Anti-Fog
- Motion Detection / Privacy Mask
- MicroSD memory slot up to 32GB
- DC 12V, PoE(802.3af)
- ONVIF Profile S Compliant

Dimension



<Front View>

<Side View>

Specifications

Camera	
Image Sensor	1/2.8" Sony Starvis Progressive Scan CMOS Sensor(IMX291)
Min. Illumination	0.001 Lux
Lens Type	3.7mm Fixed(2.9mm, 4.3mm, 6mm, 8mm available)
Shutter Speed	1/25 ~ 10,000sec
Motion Detection	Yes
Privacy Zone	Yes
Image Enhancement	AE, AWB, WDR, 3D ADNR, AGC, Brightness, Contrast, Sharpness, Day & Night, Anti-Fog Control
Video	
Video Compression	H.264, MJPEG (H.264 Baseline/Main Profile@Level 4.1)
Streaming	Primary: H.264(1920x1080) Secondary : H.264(640x480, 320X240), MJPEG(1920X1080)
Resolution & Frame Rate	Main : H.264/25fps@1080p(12fps@WDR or DNR Mode) Secondary : H.264/25fps@VGA or MJPEG: 5fps@1080p
Bit rate / Control	512Kbps ~ 10Mbps / CBR, VBR
Network	
Support Protocol	TCP/IP, UDP, IPv4, HTTP, DNS, NTP, IGMP, RTP/RTSP, DHCP, WS-Discovery, ONVIF
3 rd Party Integration	Onvif Profile S/2.4, CGI
Web Access Control	Multi user level protection, 4 Multiple Client Accessible
Interface	
Ethernet	10/100-Base-T Ethernet (Auto-Sensing)
Local storage	MicroSD memory slot up to 32GB
GENERAL	
Dimensions	43mm(W) x 43mm(H) x 34mm(D) / about 200g
Power Source	DC12V/250mA, external PoE(802.3af)
Operating Temp.	0°C ~ 50°C
Operating Humidity	90% or less

Cable(Power & Data)

