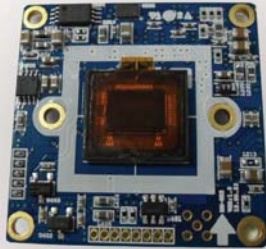




MM-18-32

1080p 60fps(HD-SDI)/EX-SDI Board camera

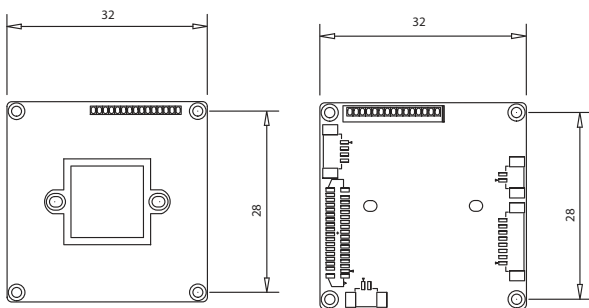


FEATURES

- 1/3" Panasonic CMOS Sensor
- Full HD Resolution: 1080p 60fps/720p 60fps
- HD-SDI, EX-SDI, CVBS(960H)
- WDR (Wide Dynamic Range)
- DNR (Digital Noise Reduction: 2D + 3D)
- Privacy Mask Function
- Intelligent Motion Detection
- Defog Function: Defogging foggy video image
- Supports Pelco-P / Pelco-D / VISCA / Update
- Dimension: 32mm x 32mm x 1.6 mm

DIMENSIONS

Unit : mm



SPECIFICATIONS

MM-18-32	
Image Sensor	1/3" Panasonic CMOS Sensor
Total Pixels	1956(H) x 1266(V) = 2.48M pixels
Active pixels	1944(H) x 1092(V) = 2.12M pixels
Scanning system	Progressive
Resolution	Digital : 1080p/60(50), 1080p/30(25), 720p/60(50), 720p/30(25) Analog : 700TVL
Min. illumination	Color : 0.5 lux , BW : 0.1lux Color DSS : 0.002 lux , BW DSS : 0.001 lux
Video Output	HD : HD-SDI, EX-SDI, CVBS(960H) Analog SD : VBS(without WDR)
BRIGHTNESS	0 ~ 20 steps
LENS	2.8~10mm
SHUTTER SPEED	Auto / Manual (1/30(1/25) ~ 1/30000)
DSS	Off / x2 / x3 / x4
AGC	Off / On
WDR/BLC	Off / WDR / BLC
DAY&NIGHT	Auto / Day / Night / Ext
WHITE BALANCE	Auto / One Push / Manual / Indoor / Outdoor
SHARPNESS	0 ~ 10 steps
MIRROR	Off / H / V / H&V
FREEZE	Off / On
E.ZOOM	x2 ~ x32
HLC	Off / On
ACE	Off / Low / Middle / High
DNR	Off / Low / Middle / High / Auto
PRIVACY	Off / On (24 points)
MOTION	Off / On (3 points)
DEFECT DET	Off / On
DEFOG	Off / On
SYSTEM	NTSC / PAL
HD FORMAT	1080P / 720P
COMMUNICATION	ID : 1 ~ 255 Baud Rate : 2400 / 4800 / 9600 / 19200 / 38400 / 57600 / 115200 Protocol : Pelco-P / Pelco-D / VISCA / Update
Language	English / Chinese / Japanese
Power Source	DC12V±10%
Power Consumption	250mA
Power Input	Connector
Video Output(HD-SDI)	MMCX Connector
Operating Temperature	-10℃ ~ +50℃ (Humidity : 0%RH ~ 80%RH)
Storage Temperature	-20℃ ~ +60℃ (Humidity : 0%RH ~ 90%RH)
Dimension (H x V x T)	32mm X 32mm