



Newbridge ND3104D/ND3104G distribution amplifier could splits a single SDI source data to several video display and simultaneously amplify SDI signal . There is no video signal loss in the switching process. It supports almost all HD video formats which is SMPTE compliant. It can also achieve up to 1080p@60Hz for Full HD video performance perfectly.

In professional application systems, it is specially designed to several digital display terminals to show the same SDI video simultaneously. It is widely applied to surveillance, broadcast TV station, TV media, video conferences, electronic teaching, wired network areas, etc.

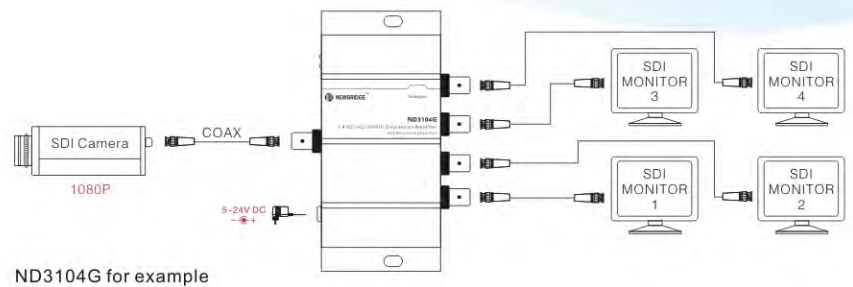
ND3104

SD/HD/3G-SDI 1 to 4 Distribution Amplifier

Features

- Support SD-SDI (270Mbps), HD-SDI (1.485Gbps) & 3G-SDI (2.97Gbps)
- Full HD video format
- Built-in Cable Equalizer, Re-clocker & Cable Driver
Max. cable length (Belden 1694A): SD-SDI 400m/1300ft,
- HD-SDI 200m/600ft, 3G-SDI 140m/450ft
- Excellent SDI signal jitter suppression function
- Power supply and SDI signal format indicator
- Embedded ESD to protect the circuit
- 5V~24V DC

Application Diagram

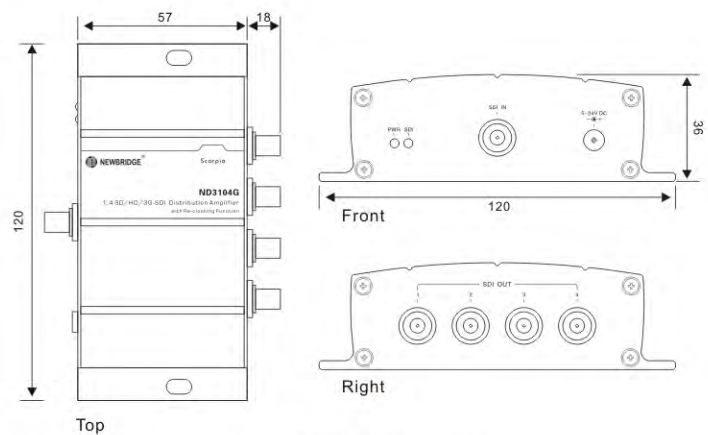


ND3104G for example

Specifications

Model	ND3104D	ND3104G
Input signal	1x BNC SDI, HD-SDI	1x BNC SDI, HD-SDI, 3G-SDI
Input Signal Type	SD-SDI (270Mbps) HD-SDI (1.485Gbps),	SD-SDI (270Mbps) HD-SDI (1.485Gbps), 3G-SDI(2.95Gbps)
Support Input Format	SD-SDI: 525i@59.94Hz, 625i@50Hz HD-SDI: 720p@23.98Hz/24Hz/25Hz/29.97Hz/ 30Hz@50Hz/59.94Hz/60Hz 1080i 50Hz/59.94Hz/60Hz 1080p@23.98Hz/24Hz/25Hz/29.97H/ 30Hz	SD-SDI: 525i@59.94Hz, 625i@50Hz HD-SDI: 720p@23.98Hz/24Hz/25Hz/29.97Hz/ 30Hz@50Hz/59.94Hz/60Hz 1080i 50Hz/59.94Hz/60Hz 1080p@23.98Hz/24Hz/25Hz/29.97H/ 30Hz 3G-SDI: 1080p@50Hz/59.94Hz/60Hz
Video Standard	SMPTE 424M, SMPTE 292M and SMPTE 259M ITU-R BT.601, ITU-R BT.1120	
SDI Signal Range	0.8V p-p	
SDI Impedance	75 ohms	
SDI Coupling Type	AC Coupling	
Max. Input Coax Length	Belden 1694A SD-SDI 400m / 1300ft ; HD-SDI 200m / 600ft ; 3G-SDI 140m / 450ft	
Output signal	4x BNC SD-SDI, HD-SDI	
Re-clocking	Auto Support 270Mbps/1.485Gbps	
Power Supply	5V~24V DC / Locking Power Connector	
Power Consumption	5 Watts (max)	
Operating Temperature	-10° C ~ 60° C / 14° F ~ 140° F	
Storage Temperature	-30° C ~ 70° C / -22° F ~ 158° F	
Relative Humidity	20~90% RH (Non-condensation)	
Dimension	83 x 120 x 36 mm / 3.27 x 4.72 x 1.42 inches	93 x 120 x 36 mm / 3.66 x 4.72 x 1.42 inches
Weight	170g	180g

Dimensions



ND3104G for example

Order Information

Part No	Description of product	Unit
ND3104D	SD/HD-SDI 1 to 4 Distribution Amplifier	pcs
ND3104G	SD/HD/3G-SDI 1 to 4 Distribution Amplifier	pcs