
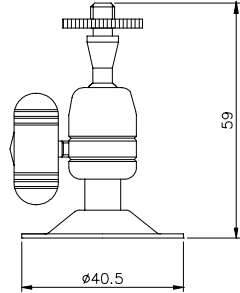
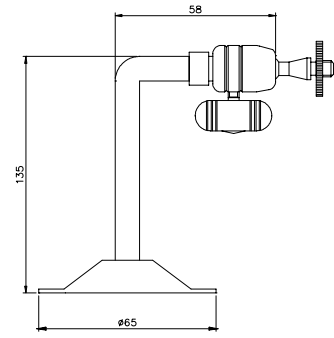

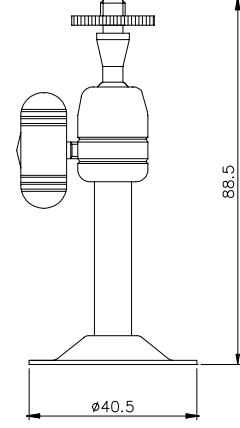



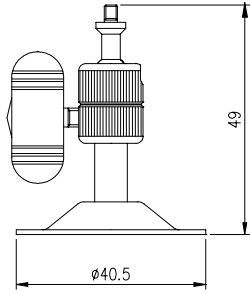



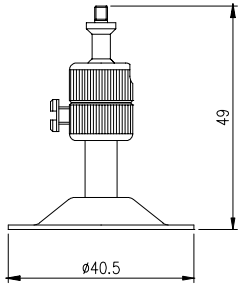
**BRACKET LIST**


		
<b>MODEL NAME</b>	<b>SK-10</b>	
<b>COLOR</b>	BLACK, WHITE, SILVER	

		
<b>MODEL NAME</b>	<b>SK-17</b>	
<b>COLOR</b>	BLACK, WHITE, SILVER	

		
<b>MODEL NAME</b>	<b>SK-20</b>	
<b>COLOR</b>	BLACK, WHITE, SILVER	

			
MODEL NAME	SK-21		
COLOR	BLACK, WHITE, SILVER		

			
MODEL NAME	SK-22		
COLOR	BLACK, WHITE, SILVER		

			
MODEL NAME	SK-30		
COLOR	BLACK, WHITE, SILVER		