

iCanView232

Box Type IP Camera

MPEG4 Box Type IP Camera (Indoor)

iCanView232 is MPEG4 based box type indoor IP Camera. The IP Camera is very easy to install, and provides excellent picture quality, analog video output, dual streaming for mobile and standard PoE.

Optional items such as flash memory for local storage, D/N(TDN), WiFi, and fixed lens are available.

Versatile models (232++, 232SB, 232PB) are also available for various applications.

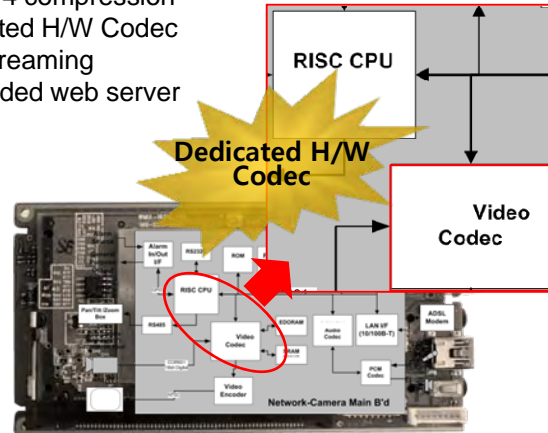


Key Features

- Excellent enhanced picture quality
- Powerful embedded technology
- Analog CVBS output
- Dual streaming : MPEG4 + JPEG (for mobile)
- Standard PoE built-in (IEEE802.3af)
- Two-way audio communication
- Robust design & convenient Installation
- Optional items
 - Flash memory for local storage, D/N(TDN), WiFi, and Fixed lens

Powerful Embedded Technology!!

- MPEG-4 compression
- Dedicated H/W Codec
- Dual streaming
- Embedded web server



Dimensions

mm



Client Software – free of charge except iCMS



Specifications

Video Part	
Compression method	MPEG4
Resolution	-NTSC : 720x480(full D1), 720x240(half D1), 320x240(CIF), 176x144(QCIF) -PAL/SECAM : 720x576(D1),720x288(half D1), 352x288(CIF),176x144(QCIF)
Number of frames/sec	in max resolution -Up to 30 frames (NTSC) -Up to 25frames(PAL)
Video output	1ch CVBS output
Motion detection	3 regions

Audio Part	
Compression method	- ADPCM(IP Camera→Client PC) - PCM(Client PC →IP Camera)
Bi-directional communication	Supported
Audio input/output	1ch(from Microphone or audio device) /1ch(to speaker)

Network	
Access Network	100Base-T, xDSL Modem, Cable Modem, Leased line, Optic Fiber
Protocols	IPv4, TCP/IP, ARP, ICMP, HTTP, SMTP, FTP, DHCP, RTP, RTSP, SDP, PPPoE
Security	User ID & password protection, IP address filtering
Dynamic IP	Supported (through iCanTek's management server)

Installation	
Standard PoE	Supported
WiFi	Supported <i>(optional)</i>

General	
Alarm input / output	1 Sensor input / 1 Relay output
Alarm notification	Email (still image), FTP server (for alarm video file)
Dual streaming	MPEG4 + JPEG (for mobile)
IBRC	Intelligent bit rate control
3G mobile	Support <i>(ask iCanTek for detail)</i>
Local storage	Supported <i>(optional)</i>

Client Software	
iNVR	16ch <i>(free of charge)</i>
NVR-Pro / iCMS	64ch <i>(free of charge)</i> / 64ch
PDA viewer / Mobile viewer	4ch / 1ch <i>(free of charge)</i>

Operating Environment, Power, Dimensions	
Operating Temperature	0-45°C (32 -113°F)
Operating Humidity	8-80% RH
Power	12VDC, 1A / SMPS
Dimensions (W x H x D)	Body : 66mm(3")x58mm(2")x137mm(5") Ant : 100mm(4")
Weight	560g(1lbs)
Casing	Zn/Al, Silver
Approvals	FCC, CE, MIC, RoHS
Package information	IP Camera <i>(without Lens)</i> , CD (User's guide, Software...), Power cord, DC adaptor, L wrench, Screws, bracket, C ring, Iris jack connector, Video output cable



Versatile Models of iCanView232

Basic functions and features are same as iCanView232, and camera part and optional item are as below.

iCanView232++	MPEG4 Box Type IP Camera with 410K, 520TV Line	
	<p>Effective pixels (H x V) - NTSC : 811x508, PAL : 795x596</p> <p>Minimum illumination (30IRE) - Color : 0.1lux, B/W : 0.001lux</p> <p>Horizontal resolution - Color : 520 TV line, B/W : 580TV line</p> <p>Recommended lens – Vari-focal f = 3.5~ 8.0mm, F1.4, Viewing angle (H : 80.7°)</p>	<p>Optional Items : Flash memory, D/N(TDN), WiFi, Lens</p>
iCanView232SB	MPEG4 Box Type IP Camera with 410K, Sony WDR CCD	
	<p>Sony WDR CCD</p> <p>Effective pixels (H x V) - NTSC : 811x508, PAL : 795x596</p> <p>Minimum illumination(50IRE) - Color : 0.66lux, B/W (at TDN) : 0.06lux</p> <p>Horizontal resolution - 520 TV lines</p> <p>Recommended lens - Vari-focal f = 3.5~ 8.0mm, F1.2, Viewing angle(H : 80.7 °)</p>	<p>Optional Items : Flash memory, D/N(TDN), WiFi, Lens</p> <div style="display: flex; justify-content: space-around; align-items: center;">  <div style="text-align: right;">[Normal Image]</div> </div> <div style="display: flex; justify-content: space-around; align-items: center; margin-top: 10px;">  <div style="text-align: right;">[Image with Sony WDR]</div> </div>
iCanView232PB	MPEG4 Box Type IP Camera with 410K, Pixim CMOS WDR	
	<p>Pixim CMOS WDR</p> <p>Effective pixels (H x V) - NTSC : 720 x 540, PAL : 720 x 540</p> <p>Minimum illumination(50IRE) – Color : 1.0lux, B/W with TDN : 0.14lux</p> <p>Horizontal resolution - 480 TV lines</p> <p>Recommended lens - Vari-focal f = 3.5~ 8.0mm, F1.2, Viewing angle(H : 80.7 °)</p>	<p>Optional Items : Flash memory, D/N(TDN), WiFi, Lens</p> <div style="display: flex; justify-content: space-around; align-items: center;">  <div style="text-align: right;">[Normal Image]</div> </div> <div style="display: flex; justify-content: space-around; align-items: center; margin-top: 10px;">  <div style="text-align: right;">[Image with Pixim WDR]</div> </div>