

iCanView240

Speed Dome IP Camera

World's Most Silent, MPEG4 Speed Dome IP Camera (Outdoor)

iCanView240 is a speed dome IP Camera for outdoor environment. Based upon ultra silent twin gear and slip ring, iCanView240 ensure world's most silent operation.

Virtual keyboard controller will enable remote client full control of the speed dome, which used to be available only to the users of keyboard controller. (IP + Hybrid feature)

Versatile zoom models (18x, 26x, 27x, 33x, 36x, 37x) and various mounting brackets are available.

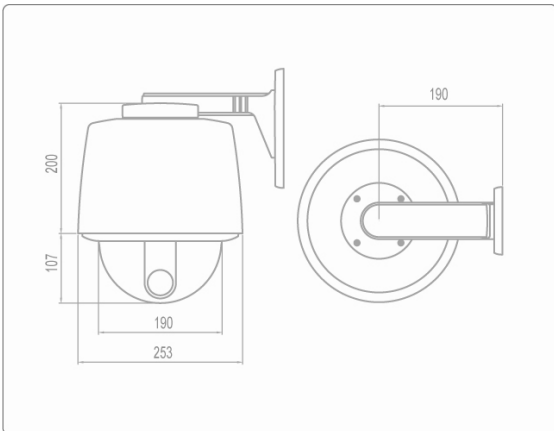


Key Features

- MPEG4 Video/ADPCM Audio
- Filter changeable true day/night
- Bi-directional audio communication
- Versatile zoom selection (Sony & Samsung)
 - Sony(18X, 26X, 36X), Samsung(27X, 33X, 37X)
- Ultra quiet mechanism
- IP + (Hybrid) feature – simultaneous control through RS-485 and IP network
- IP66 compliant housing
- Fan & heater
- Optional items
 - Flash memory for local storage, Mounting bracket, Keyboard controller, AC power adaptor, Long range WiFi

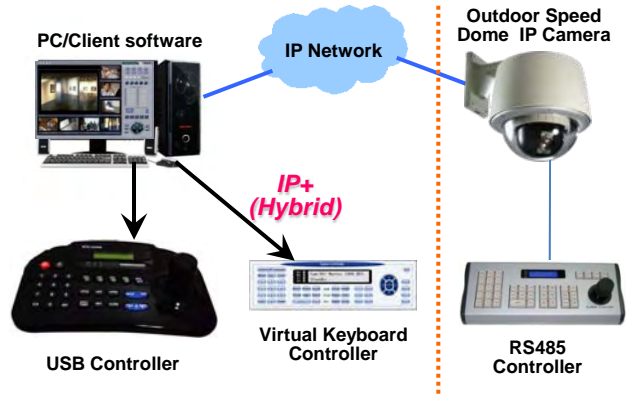
Dimensions

mm



IP+ (Hybrid)

- Supports both real(USB/RS485) and virtual keyboard controller using client software on PC



Client Software – free of charge except iCMS



i-NVR(16ch)

NVR-Pro(64ch)

iCMS(64ch)



Web viewer



PDA viewer



Mobile viewer

Specifications

Camera Part (PTZ Mechanism, Camera Module)

Model		18X Optical (Sony)	26X Optical (Sony)	27X Optical (Samsung)	33X Optical (Samsung)	36X Optical (Sony, WDR)	37X Optical (Samsung)	
Pan / Tilt	Pan Rotation Angle	360° Endless						
	Pan Speed	Manual	0.5° ~ 200°/sec(64step)					
		Preset	Max 300°/sec, Min 10°/sec					
	Tilt Rotation Angle	-2° ~ 90°						
	Tilt Speed	Manual	0.5° ~ 45°/sec(64step)					
		Preset	Max 250°/sec, Min 200°/sec					
System Accuracy		0.024°						
Functions	Presets	165 positions with 16 character labels available for each position with different speed steps						
	Group Tour	Max. 8 Programmable group tours(each one consisting of up to 60 preset steps with different steps)						
	Auto Pan	Programmable Auto Scan						
	Pattern	8 Programmable Patterns (total 480 seconds)						
	Sector	8 Selectable Sectors with 16 characters						
	Password Protection	Yes						
	Privacy Zone	24	24	8	8	24	8	
	Alarm Input	4 alarms (with various programmable states)						
	Alarm Actions	Activate preset, Group scanning or output per alarm input						
	Aux Output	2 Replay Output						
	Auto Flip	ON / OFF						
	OSD Menu	Yes						
	Communication	RS-485						
	Protocol	Built in Pelco-D, Pelco-P						
	Others	Motor Type	Stepping motor					
Micro Steps		1/8 Micro Step						
Camera Module	Image Sensor		1/4" Sony Exview HAD CCD	1/4" Sony Exview HAD CCD	1/4" Sony super HAD CCD	1/4" Sony super HAD CCD	1/4" Sony Exview HAD CCD	1/4" Sony super HAD CCD
	Total Image Pixels	NTSC	811(H) * 508(V) 410K					
		PAL	795(H) * 596(V) 470K					
	Number Of Effective Pixels	NTSC	768(H) * 494(V) 380K					
		PAL	752(H) * 582(V) 440K					
	Horizontal Resolution	NTSC	470TV line	470TV line	550TV line(Color) 680TV line(B/W)	550TV line(Color) 680TV line(B/W)	530TV line(Color)	550TV line(Color) 680TV line(B/W)
		PAL	460TV line	460TV line			530TV line(Color)	
	Lens	Optical	18x Optical Zoom (F=1.4~3.0, f=4.1~73.8mm)	26x Optical Zoom (F1.6~3.8, f=3.5~91.0mm)	27x Optical Zoom (F= 1.6 ~ 2.9 , f=3.5 ~ 94.5mm)	33x Optical Zoom (F= 1.6 ~ 3.6 , f=3.5 ~ 115.5mm)	36x Optical Zoom (F=1.6 ~ 4.5 , f=3.4 ~ 122.4mm)	37x Optical Zoom (F= 1.6 ~ 3.9 , f=3.5 ~ 129.5mm)
		Digital	12x 216x with	12x 312x with	12x 324x with	12x 396x with	12x 432x with	12x 444x with
	Day & Night (ICR)		Auto/ Day/ Night					
	Digital Slow Shutter		ON / OFF					
	Min. Illumination	Normal Mode	0.05Lux	0.14Lux	0.4Lux	0.4Lux	0.1Lux	0.7Lux
		Night Mode	0.01Lux	0.05Lux	0.02Lux	0.02Lux	0.01Lux	0.061Lux
		Sense-up : 256x			0.00007Lux	0.00007Lux		0.00007Lux
	Luminance S/N Ratio		More than 50dB					
	Video Output BLC		Composite video output 75 ohm terminated ON / OFF					
	Flickerless		ON / OFF					

Video Part	
Compression Method	MPEG4
Resolution	-NTSC : 720x480(full D1), 720x240(half D1), 320x240(CIF), 176x144(QCIF) -PAL/SECAM : 720x576(D1),720x288(half D1), 352x288(CIF),176x144(QCIF)
Number of Frames/sec	in max resolution - Up to 30 frames (NTSC) - Up to 25frames(PAL)
Video Output	1ch CVBS output
Motion Detection	3 regions

Audio Part	
Compression Method	-ADPCM (IP Camera→Client PC) -PCM (Client PC→IP Camera)
2-way Communication	Supported
Audio Input/Output	1ch(from Microphone or audio device) /1ch(to speaker)

Network	
Access Network	100Base-T, xDSL Modem, Cable Modem, Leased line, Optic Fiber
Protocols	IPv4, TCP/IP, ARP, ICMP, HTTP, SMTP, FTP, DHCP, RTP, RTSP, SDP, PPPoE
Security	User ID & Password protection, IP address filtering
Dynamic IP	Supported (through iCanTek's management server)


General	
Alarm Input / Output	4 Sensor input / 2 Relay output
Alarm Notification	Email (video file), FTP server (for alarm video file)
Dual Streaming	MPEG4 + JPEG (for mobile)
IBRC	Intelligent bit rate control
3G mobile	Support (ask iCanTek for detail)
Local storage	Supported (optional)

Client Software	
iNVR	16ch(free of charge)
NVR-Pro / iCMS	64ch(free of charge) / 64ch
PDA / Mobile Viewer	4ch / 1ch(free of charge)




Operating Environment, Power, Dimensions	
Operating Temperature	-Without heater : -10°C ~ 50°C(14°F ~ 122°F) -With heater : -40 °C ~50°C (-40°F~122°F)
Operating Humidity	8~80% RH
Power	24VAC, 1.75A / 42W
Dimensions (W x D)	253mm(10") x 307mm(12")
Weight	5.3kg (11.7lbs)/Net
Casing	PC/AL/ABS, Ivory
Approvals	FCC, CE, MIC, RoHS
Package Information	IP Camera, CD (User's guide, software...), accessories, mD-104(Wall mount bracket), mD-103(Sun-visor/housing/bubble)

Ordering Information for Detailed Models	
iCanView240-18S	Sony 18X zoom
iCanView240-26S	Sony 26X zoom
iCanView240-27D	Samsung Techwin 27X zoom
iCanView240-33D	Samsung Techwin 33X zoom
iCanView240-36S	Sony 36X zoom(WDR)
iCanView240-37D	Samsung Techwin 37X zoom

Optional Items	
Flash memory	2/4/8/16GB for local storage
Keyboard Controller	mD-CN3RI, WTX-1200A
Bracket	mD-103, mD-103N, mD-104N, mD-107, mD-109, mD-304, mD-305, mD-306, mD-307, mD-308, mD-309, mD-310
WiFi	Dual band wireless, Ethernet Injector & Surge Suppressor, 5 port PoE Switch
Power Adaptor	24VAC, 2.5A

Keyboard Controller	
mD-CN3RI	WTX-1200A
	
(Twist Control)	(Web Keyboard Controller, USB type)

Bracket		
mD-103	mD-103N	mD-104N
		
(103N+104N)	(Outdoor Housing)	(Wall Mount)
mD-107 (100 series)	mD-109 (100 series)	mD-304
		
(Corner Mount Adaptor)	(Pole Mount Adaptor)	(Ceiling Bracket Kits with mD-306)
mD-305	mD-306	mD-307
		
(Wall Bracket Kits)	(Ceiling Cap)	(Junction Box Kits including PCB & Cable)
mD-308	mD-309 (300 series)	mD-310 (300 series)
		
(Junction Box only w/o PCB & Cable)	(Corner Mount Adaptor)	(Pole Mount Adaptor)

WiFi		
Dual Band Wireless	Ethernet Injector & Surge Suppressor	5 Port PoE Switch
		



Imported in France by Opto Vision - Toulouse
 Tel: +33 (0)5 61 76 51 11 Fax : +33 (0)5 61 76 51 52
 Homepage : <http://www.optovision.fr> E-mail : info@optovision.fr