

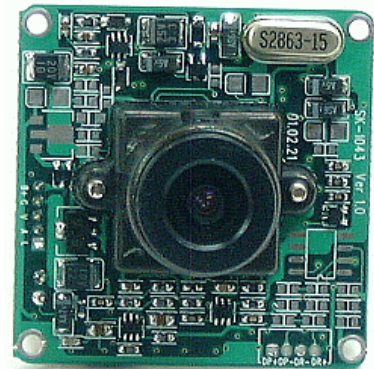


**CATEGORY**

SONY EXview HAD CCD.

Board Type High-Resolution Camera module.

SK-1043X



**SPECIFICATION**

Image Sensor : 1/3" EXview HAD CCD SONY

Effective Pixel : 786(H) X 494(V)(EIA) , 752(H) X 582(V)(CCIR)

Cell Size (**microns**) : 6.35(H) X 7.4(V)(EIA) , 6.5(H) X 6.25(V)(CCIR)

Resolution : HORI. 570 TV LINE

TV Type : EIA , CCIR

Sync. Type : Internal

Scanning System : 2:1 Interlace

Scanning Frequency Horizontal : 15.934 KHz(EIA) , 15.625 KHz(CCIR)

Scanning Frequency Vertical : 59.94 Hz(EIA) , 49.95 Hz(CCIR)

Video Output : 1.0 Vp-p (Sync. Negative) Termination 75 **ohms**

Gamma Characteristic : 0.45 typ.

Min. Illumination : 0.003 Lux

(F/#2.0 , f=3.6mm Video signal output 40 IRE)

S/N Ratio : 45dB or More (AGC OFF)

Gain Control : Automatic

Shutter Speed : 1/60 ~ 1/100,000 second(EIA) , 1/50 ~ 1/100,000 second(CCIR)

Test Illuminance Area : Average test illuminance by front view

Power Supply : Regulated DC 12.0V

Consumption Current : 110mA (At DC 12V) Max.

Reverse Polarity Protection : Yes

Lens Mount : Fixed Lens mount

Operation Temp. : -10°C ~ 50°C

Preservation Temp. : -30°C ~ 80°C

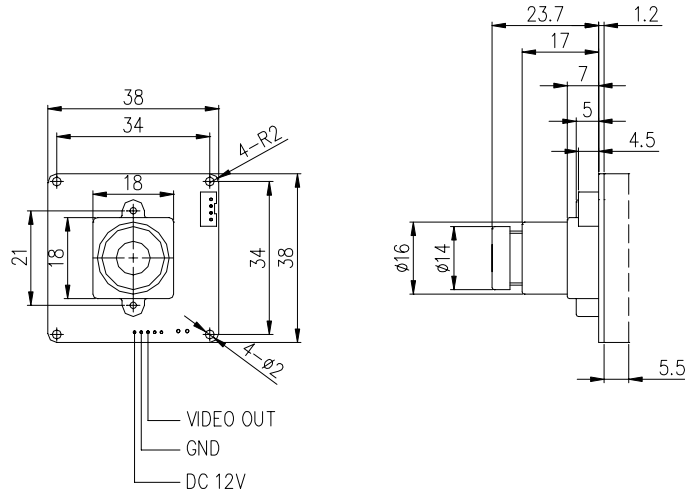
Dimension : 38(W) X 37.5(D) X 30.4(H) mm

Weight : Approx. 30g

**OPTION**

optional lens(mm) : 2.45, 2.96, 3.2, 3.6, 4.3, 6, 8, 12, 16 normal lens or C/CS mount

INTERFACE SPECIFICATION



When the connector is located as shown in the above picture, monitor gives upright picture.

I/O Connector Function

Usage : Composite video signal out for power input

Pin Array :	DC 12V (RED)	DC Power input (Regulated DC 12.0V)
	GND (BLACK)	Power and Video signal in common
	Video Out (YELLOW)	Video signal output

