

PAN/TILT DRIVE TYPE

REMOTE CONTROL



V2.0

FEATURES

As multi-function of CCTV controller, IR/RC-200 can control CCTV camera , PAN&Tilt driver and DVR by RS-485(RS-422,RS-232)

Multi protocol available

IR/RC-200 can be set every different cameras which have different protocol, and it contain not only WONWOO and PELCO-D protocol but also various other protocols.

Preset

Up to 240 programmable preset function.

Group

Up to 16 programmable group and it operate orderly.

Tour

Up to 16 programmable Tour consisting of Preset, Group and Swing functions.

Swing

Repeatedly pan & tilt operate between two positions.

Pattern

The pattern feature records user control of the selected camera. Up to four patterns can be stored.

Monitor Setting

Selectable DVR & Monitor screen.

Menu

Camera OSD and Menu setting.

Speed Control

Control camera speed as user pleases.

Connectable with DVR and Key Board

IR/RC-200 is connectable with DVR and key board controller to control speed dome camera. (But , This functions is available when Keyboard match with DVR protocol.)

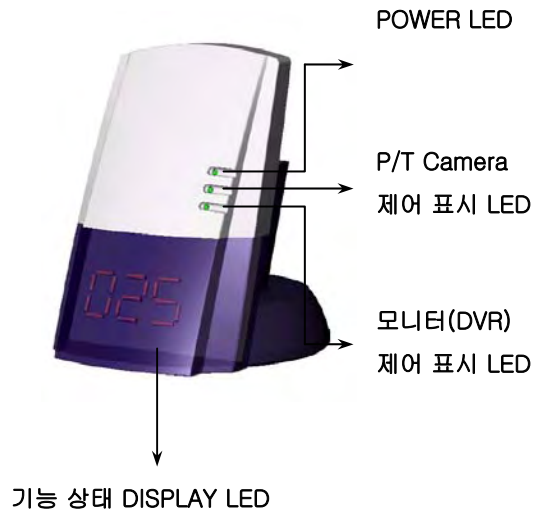
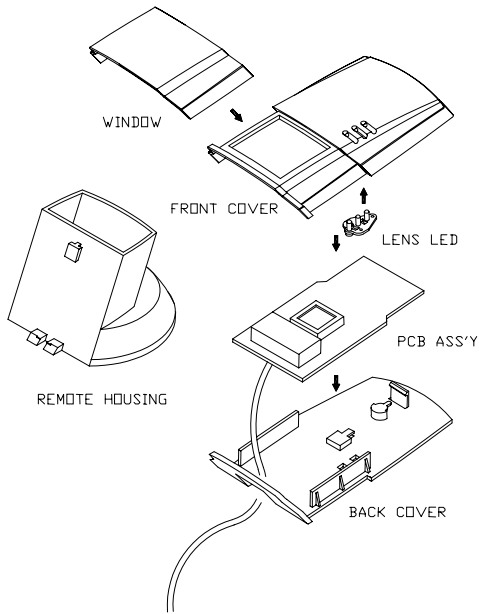
Display

The window of IR-200 can show the function name and operating state.

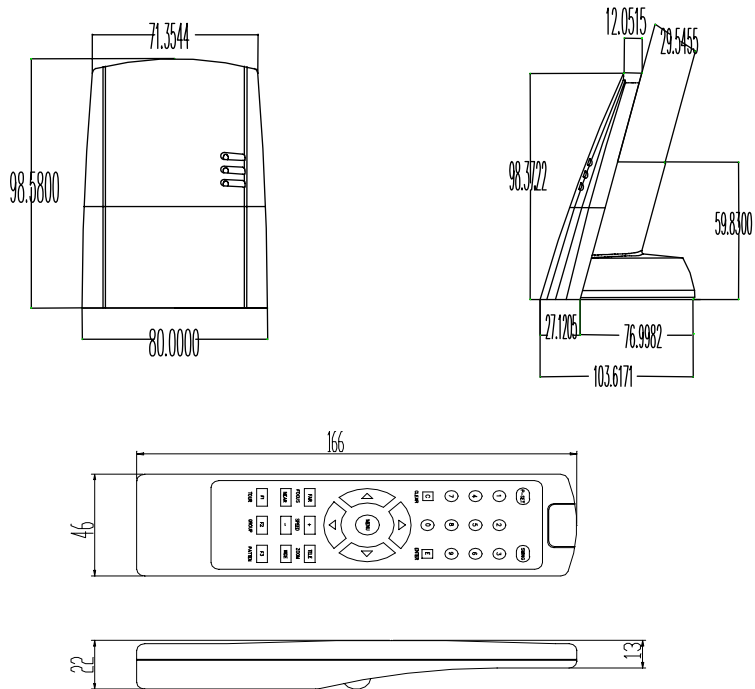
Interface convert.

IR-200 can be converted to RS-232C and RS-485.

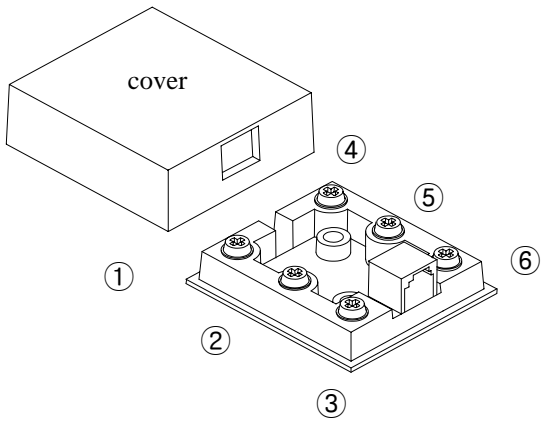
CONSTRUCTION



DRAWING

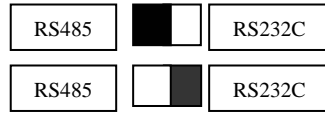


CABLE Connection

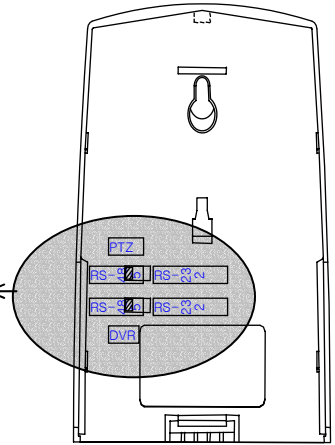


Picture 1.

Dip S/W of Pan&Tilt output interface setting



Dip S/W of DVR input interface setting



picture 2.

번호	정의	
1	P/T	DATA GND (Red)
2		D + (Black)
3		D - (White)
4	DVR	DVR - (Green)
5		DVR + (Yellow)
6		DVR GND (Blue)

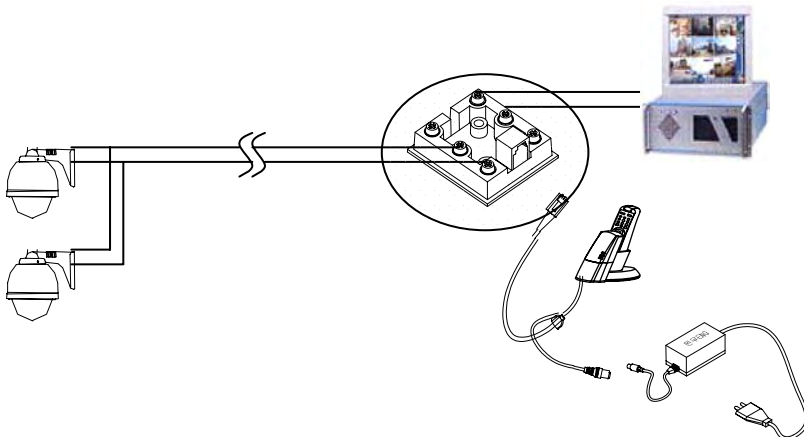
RS-485 SET UP

CAMERA INPUT 2/3
DVR OUTPUT 4/5

RS-232C SET UP

CAMERA INPUT 2/3
DVR OUTPUT 4/5

Connecting RS485



Picture 2 show that IR/RC-200 and a camera can be connected with RS-485 and RS-232 both, and DVR can be done by same way.

DVR PROTOCOL

MONITOR CONTROL PROTOCOL

Format

Interface speed : 9600bps

Data : 8Bit 1Start 2Stop

STX	DVR	CHANNEL	CHKSUM
	NUMBER		
AAH		00H ~ 0FH	
	00H ~ 0FH	(MAX 16)	AAH + DVR
	(MAX 16)	※ All channel display Mode	NUMBER + CHANNEL

- 1) STX : AA(Hex)
- 2) DVR NUMBER : 00H ~0FH is Hex value of 16 DVR.
- 3) CHANNEL :Hex value of 16 channel(00H ~0FH)DVR
- 4) CHKSUM : STX + DVR + CHANNEL=(Low 1Byte)

◎ Example

- 1) Channel No.2 of No.1 DVR

AAH, 01H, 02H, ADh

- 2) All channel of No.2 DVR

AAH, 01H, FFH, AAH

- 3) Channel No.12 of No.15 DVR

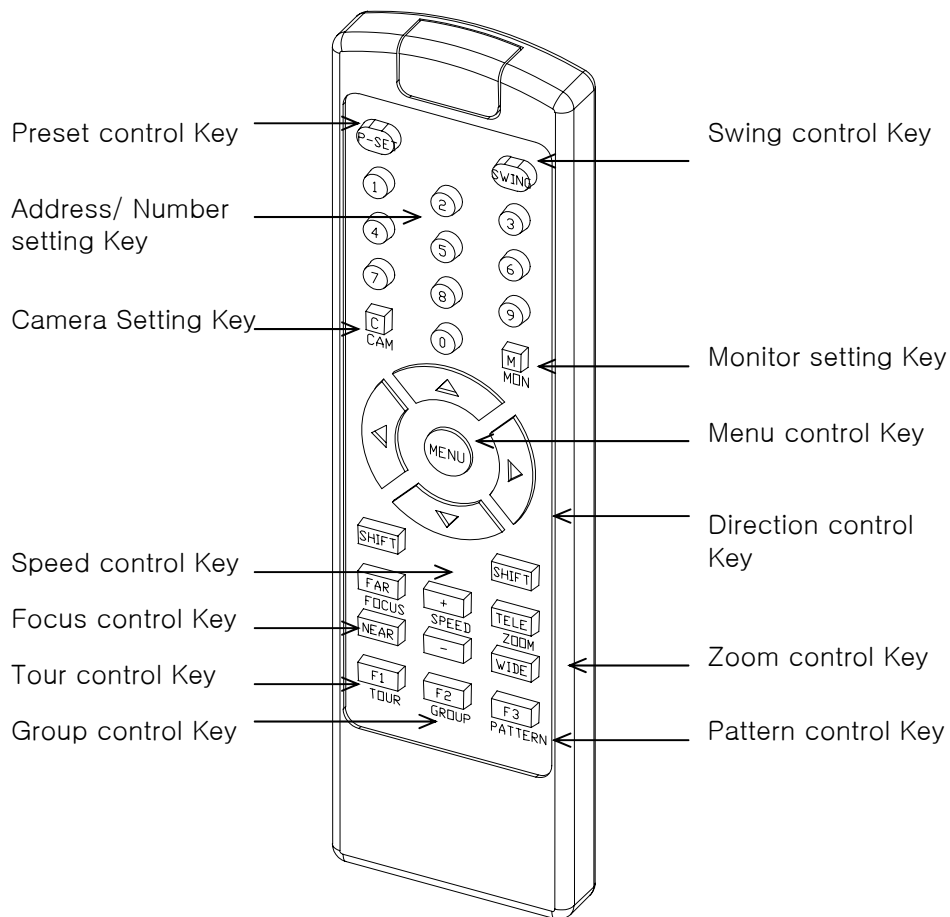
AAH, 0FH, 0CH, 05H

- 4) All channel of No.15 DVR

AAH, 0FH, FFH, B8H

Button Key

Remote controller



Please refer to the manual of JCN series to get the detail.
Below is shortcut keys.

1 Select protocol

DRX502A(Wonwoo) : 880 + MENU
 PELCO 'D' : 881 + MENU
 SCAN-DOME : 883 + MENU
 GC-655-CAM : 884 + MENU
 LG-DOME : 885 + MENU
 LG-CAM : 886 + MENU
 LPT-A100 : 887 + MENU

IR/RC-200 can be set different cameras which have different protocol by using shortcut keys

Example

Model	ADDRESS	Remote controller setting	Shortcut key
JCN-201	01	1+CAM key => 880 + MENU key	1+CAM => wonwoo protocol
LPT-A100	02	2+CAM key => 887 + MENU key	2+CAM => LPT-A100 protocol
LG-DOME	03	3+CAM key => 885 + MENU key	3+CAM => LG-DOME protocol

2 CAMERA ID : Set the camera number + C

Confirm CAMERA ID : C

3 MONITOR CHANNEL select : Set the monitor number + M

Confirm MONITOR CHANNEL : M

4 Go into TOTAL MENU : 999+ MENU

5 PRESET : set the preset number + P-SET

PRESET MENU : P-SET + MENU

PRESET number setting: P-SET +Assigned number.+ MENU

6 GROUP : Set the group number + GROUP

GROUP MENU : GROUP + MENU

GROUP number setting: GROUP + Assigned number + MENU

- 6 TOUR : Tour number setting + TOUR
- TOUR MENU : TOUR + MENU
- TOUR number setting : TOUR + Assigned number + MENU
- (PELCO 'D' has no above function)

Assigned number is kinds of shortcut number of PRESET/GROUP/SWING that makes these functions start without any additional operating.

- 7 SWING : Set the swing number + SWING
- SWING MENU : SWING + Swing number + MENU
- SWING number setting : SWING + Assigned number + MENU
- (In wonwoo protocol, only number '0' available)

- 8 PATTERN : Set the pattern number + PATTERN
- PATTERN MENU : PATTERN + MENU
- PATTERN number setting : PATTERN + Assigned number + MENU
- (J-PAN has no this function.)

- 9 If you want to stop to operate preset, group, tour and swing functions, press the preset, group, tour, cam and swing key.
(If you press the rest of keys (not above keys), the moving will not stop.)

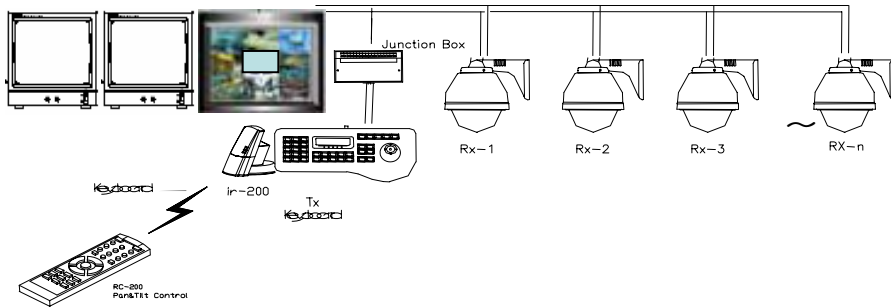
- 10 If you want to remove the selected number, just press the MENU key and reset it by pressing number '0'

- 11 Select the KEYBOARD
- DRX503A(Wonwoo) : No. 800 + MENU
- PELCO 'D' : No. 801 + MENU

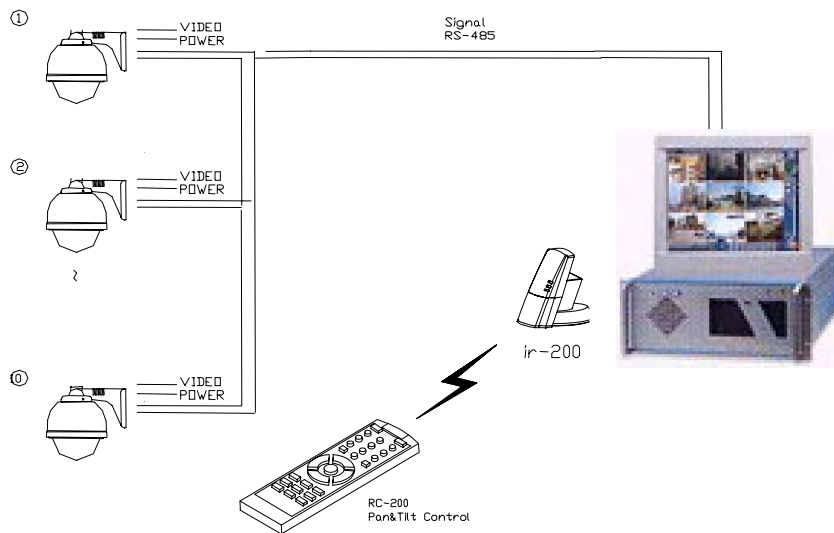
12 SHIFT Key

If you want to move speedily, push the SHIFT key while you move by pushing the direction key.
When you just push the direction key, it will move with normal speed.

IR-200 & Keyboard Control



DVR & IR-200 Control



SPECIFICATION

Specification				
ir-200 Power		DC 12V 500mA		
Material	Front Case	A B S		
	Back Cover	A B S		
	Remote Housing	A B S		
	Window	ACRYL		
Color		Silver		
Size		W 82 × H 100 × D 105		
Weight		130g		
Interface		Interface speed	Wonwoo	9600bps
	RS-485(2Wire)		Pelco-d	2400bps
	RS-232C	DATA		8bit
	Choice	Start Bit		1bit
		Stop Bit		1bit
RC-200 POWER		DC 3V, AAA Size Battery		
Button Key		29 Key		
Available distance		20 M		
Material	Remote controller	A B S		
	Button Key	Rubber		
Color		Silver		
Size		W 45 × H 165 × D 20		
Weight		100g		