



One channel coaxial video transmission system, SC-VCP1501 is composed of SC-VTP1501 transmitters and SC-VRP1501 receiver. They are compatible with cameras with high consumption power up to 15W, such as IR cameras, mini P/T/Z cameras, etc.



## Features

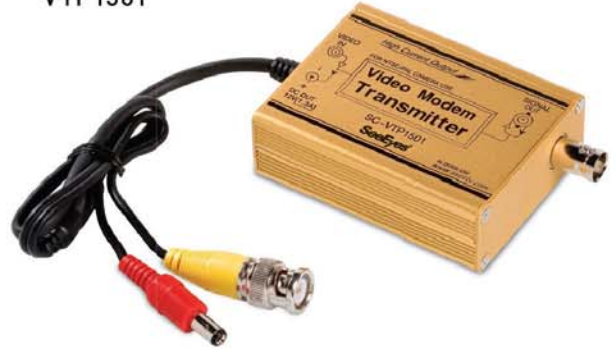
- Compatible with most IR cameras (15W)
- “Video & Power” transmission over 1 coaxial cable
- Maintain high quality video & excellent interference immunity
- Transmission distance up to 600m with RG-6, up to 1km with RG-11
- No need of power wiring & saving infrastructure cost
- Installation improvement (cost saving 25~30%)
- Easy of installation with BNC harness
- Surge protection function

## Specifications

MODEL	SC-VTP1501(Tx.)
Video In	CVBS 1.0Vp-p, 75Ω Term.
Power Out	For Camera /DC12V, 1.3A
Bandwidth	8MHz
Max. Distance	1km with Standard RG11 cable (Loop R 30Ω under)
Connect Port	In / Out: DC-F & BNC-M Harness (45cm)
	RF Out: BNC-F
Temperature / Humidity	-10°C ~ +50°C / 0 ~ 80%
Case body / Weight	Aluminum / 140g
Dimension(mm)	75(W) x 60(H) x 25(D)

MODEL	SC-VRP1501(Rx.)
Video Out	CVBS 1.0Vp-p, 75Ω Term.
Power In	AC/DC Adaptor +48V 1.0A
Bandwidth	8MHz
Transmission Distance	Auto Adjustment
Status LED	RED LIGHT ON : WORKING
	RED LIGHT FLICKERING : CHECK
Connect Port	Video Out : BNC-M Harness (60cm)
	RF In : BNC-F
Temperature / Humidity	-10°C ~ +50°C / 0 ~ 80%
Case body / Weight	Aluminum / 130g
Dimension(mm)	75(W) x 60(H) x 25(D)

VTP1501



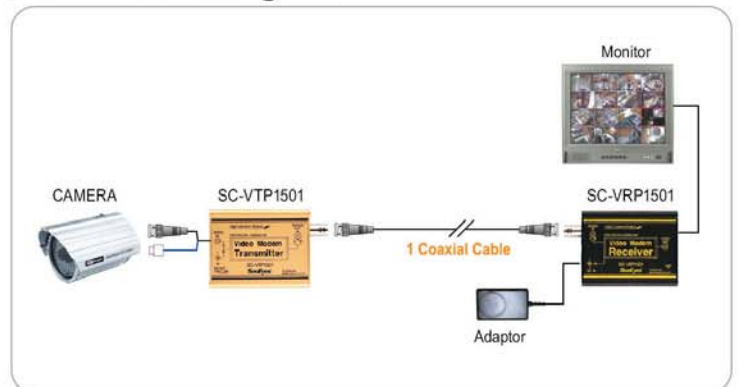
VRP1501



DC48V Adaptor



## Connection Diagram



## Dimensions

