

DPO300IR-147LED-120

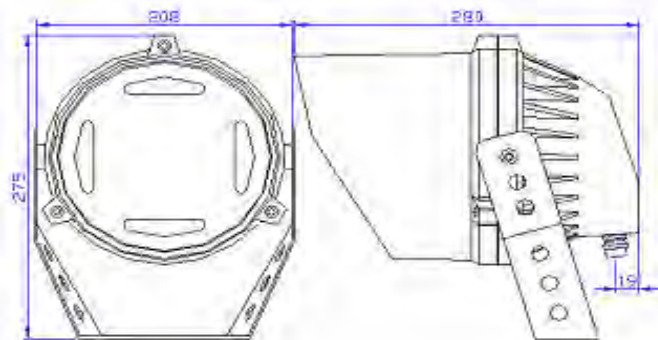
EXHAUST VALVE | CORROSION RESISTANT ALUMINIUM | NO HEATING OR COOLING

PRODUCT:	Weatherproof IR Illuminator
ITEM NO. :	DPO300IR-147LED-120
FEATURES:	High efficiency cooling structure aluminium case
	Dual power input: DC12V/AC24V
	147PCs high power IR LED
	Switch on/off automatically by photocell
	Available IR in (Outdoor) : 50M
	IR projecting angle: 120°



TECH SPECIFICATIONS	
Item	DPO300IR-147LED-120
IP rating	IP66 (Outdoor)
IR LED	147PCs
Wave Length	850nm
IR Projecting Angle	120°
Emissive Power	18W
Available IR Distance	50M
Control	CDS/10Lux
Power Supply	DC12V ±10% / AC24V ±10%
Current Consumption	DC1400mA / AC1250mA
Dimension	∅ 208×275x290mm
Weight	4500g
Storage Temperature	-30° ~ +60° C
Operating Temperature	-30° ~ +40° C

Tech Drawing



Specifications are subject to change without notice.

FOR FURTHER INFORMATION ON THIS PRODUCT
CONTACT SALLEY OR YOUR DISTRIBUTOR

