

DPO300IR-147LED-45

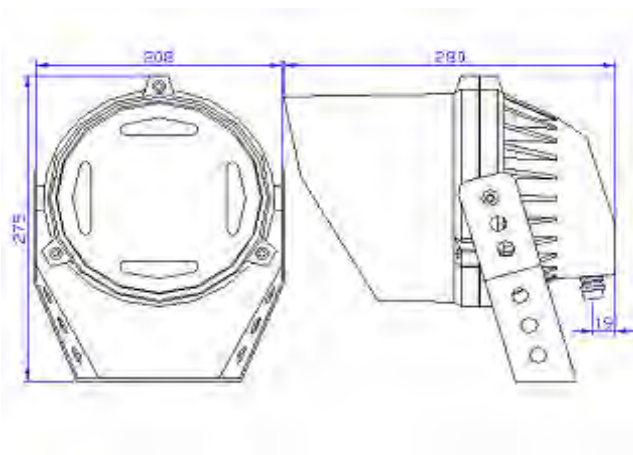
EXHAUST VALVE | CORROSION RESISTANT ALUMINIUM | NO HEATING OR COOLING

PRODUCT:	Weatherproof IR Illuminator
ITEM NO. :	DPO300IR-147LED-45
FEATURES:	High efficiency cooling structure aluminium case
	Dual power input: DC12V/AC24V
	147PCs high power IR LED
	Switch on/off automatically by photocell
	Available IR in (Outdoor) : 120M
	IR projecting angle: 45°



TECH SPECIFICATIONS	
Item	DPO300IR-147LED-45
IP rating	IP66 (Outdoor)
IR LED	147PCs
Wave Length	850nm
IR Projecting Angle	45°
Emissive Power	18W
Available IR Distance	120M
Control	CDS/10Lux
Power Supply	DC12V ±10% / AC24V ±10%
Current Consumption	DC1400mA / AC1250mA
Dimension	φ 208×275×290mm
Weight	4500g
Storage Temperature	-30° ~ +60° C
Operating Temperature	-30° ~ +40° C

Tech Drawing



Specifications are subject to change without notice.

**FOR FURTHER INFORMATION ON THIS PRODUCT
CONTACT SALLEY OR YOUR DISTRIBUTOR**

