



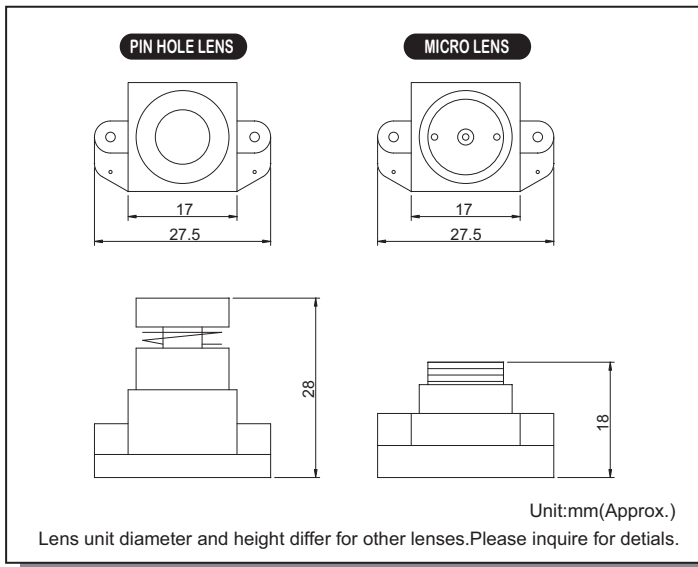
## CMOS B/W CAMERA

### Specifications:

Video System	CCIR/EIA
Number of Effective Pixels	628X582(CCIR)/510X492(EIA)
Scanning System	2:1 INTERLACE
Synchronization	INTERNAL
Resolution (TV Lines)	380 TV LINE
S/N Ratio	MORE THAN 48dB
Minimum Illumination	0.2 Lux at F 1.2
Electronic Shutter	1/50 - 1/15000
Horizontal Sync Frequency	CCIR 15.625kHz/ EIA 15.734kHz
Vertical Sync Frequency	CCIR 50Hz/ EIA 60Hz
Gamma Consumption	0.45
Video Output	1 Vpp , 75 ohms Composite
Audio Output	Frequency 20-16000Hz, S/N ratio more than 58dB(OPTIONAL)
Built-In Lens	3.6mm/F2.0(G-type), 4.3mm/F2.0(P-type)
Lens Angle	3.6mm/92 Degree
Storage Temperature	-30 to 60 Degree C
Working Temperature	-10 to 45 Degree C
Power Source	DC 7- 12V(standard) or DC 6-10V(optional)
Power Current	50mA

### Ultra Mini Camera:

#### HIGH RESOLUTION



### Diy Kit



System includes: 20m AV & POWER EXTENSION CABLE, POWER SUPPLY

### Ordering Information:

MODEL	BOADR LENS	PIN-HOLE	MICROPHONE	NOTE
MO-S317G	3.6mm/F2.0			PAL & NTSC
MO-S317P-3T		3.1mm/F3.4 CONE		PAL & NTSC
MO-S317P-3F		3.7mm/F2.0 FLAT		NTSC ONLY
MO-S317P-3C		3.7mm/F2.0 CONE		NTSC ONLY
MO-S317P-4F		4.3mm/F2.0 FLAT		PAL & NTSC
MO-S317P-4V		4.3mm/F2.0 S.CONE		PAL & NTSC
MO-S317P-4C		4.3mm/F2.0 CONE		PAL & NTSC
MO-S317P-6F		6.0mm/F1.8 FLAT		PAL & NTSC

ANY MODEL CAN BE DIY SET

Note: **KO-S317 X - XX** (MEAN W/20M CABLE , ADAPTOR)

**MO-SS317 X - XX** (DC:6-10V)

**MO-S317 X - XX** (WITH 3 WIRE ONLY)

**MO-S317 X - XX-L** (WITH RCA FEMALE PLUG)

**MO-S317 X - XX-LM** (WITH RCA MALE PLUG)

**MO-S318 X - XX** (WITH RCA FEMALE PLUG AND BRACKET)



Security cameras for Surveillance application.