

AV Wireless Transmitter Device Series

TD-123000/ TD-243000 A/V Transmitter Device

Feature

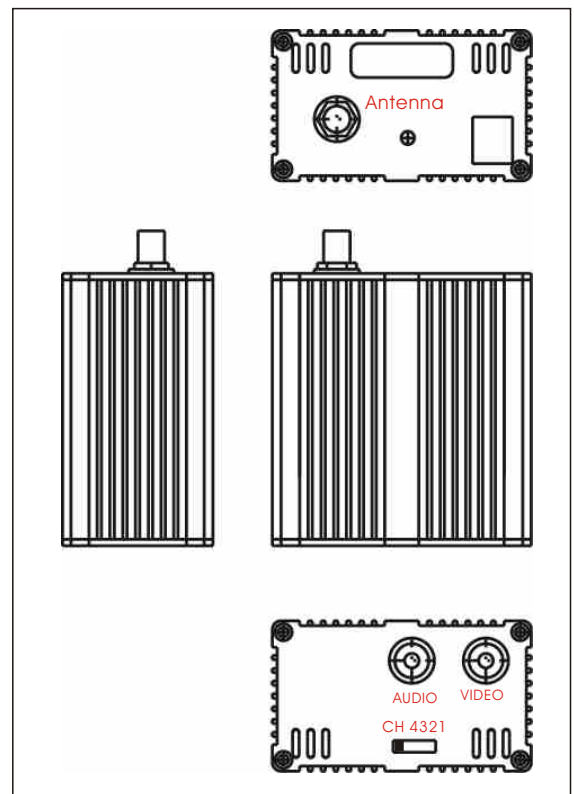
- 1.2 & 2.4GHz Band frequency transmission option
- Compact size module, high output power (2Watt)
- High Reliability/Linearity/AlGaAs/GaAs FET power amplifier module built-in
- Using digital phase-Lock-Loop circuit without drifting problem under high temp. Occasion
- 4CH DIP switch selectable



Specification

Item Number	TD-243000	TD-123000
Frequency Band	2400MHz	1200MHz
Available Channel	4 Ch	
Output Power	2000 mW	
Trans. Range	500~1000 Meter	
Consumption Current	850 mA	
Audio Sub-Carrier	6.5MHz	5.5MHz
Operation Voltage	12 V	
Power Supply	12V / 2000mA	
Housing	Aluminum Alloy	
Weight (TX)	135 g	
Dimension (TX)	65x 60x 35 mm	
Attached Receiver	RX-2410	RX-1210

Mechanical Sketch



*Specification & appearance may be subjected to change without notice

Standard Shipping Package

- AV Transmitter Device *1
- Standard Dipole Antenna *1
- AV RCA Cable *1 & 2Amp / 12V Power Supply Unit *1