

TD-1205/ TD-2405 A/V Transmitter Device

Feature

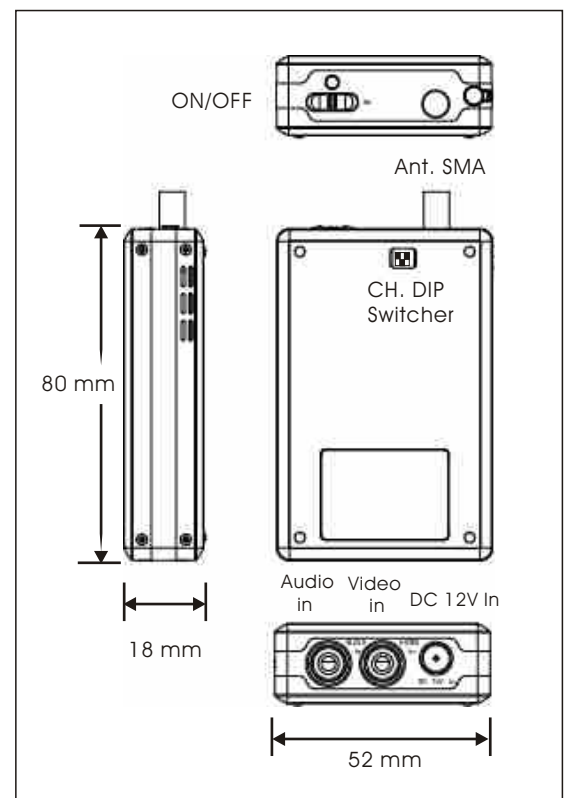
- 1.2 & 2.4GHz Band frequency transmission option
- Much advanced Mag-aluminum alloy housing with better heat-sink feature & rugged construction
- High Reliability/Linearity/AlGaAs/GaAs FET power amplifier module built-in
- Using digital phase-Lock-Loop circuit without drifting problem under high temp. Occasion
- Built-in PDA type sticker for much convenient to adjust the CH select DIP switcher



Specification

Item Number	TD-2405	TB-1205
Frequency Band	2400MHz	1200MHz
Available Channel	8 Ch	3 Ch
Output Power	500 mW	
Trans. Range	400 Meter	
Consumption Current	350 mA	300 mA
Audio Sub-Carrier	6.5MHz	5.5 Mhz
Operation Voltage	5 V	
Power Supply	12V / 500mA	
Housing	Mag-Aluminum Alloy	
Weight (TX)	50 g	
Dimension (TX)	82x 52x 18 mm	
Attached Receiver	RX-2460	RX-1260

Mechanical Sketch



*Specification & appearance may be subjected to change without notice

Standard Shipping Package

- AV Transmitter Device *1
- Standard Dipole Antenna *1
- AV RCA Cable *1