



Mini Caméra Full HD 30 x 30 mm

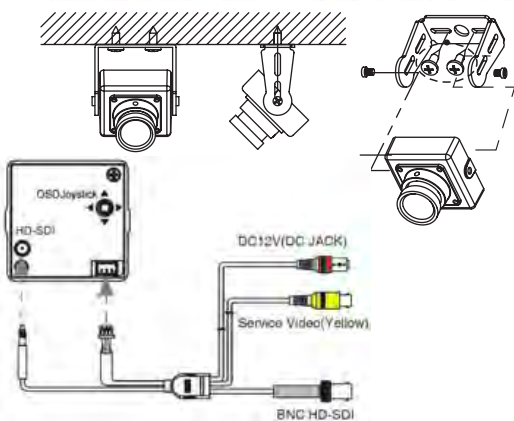
Résolution 1920 x 1080

Paramétrages OSD



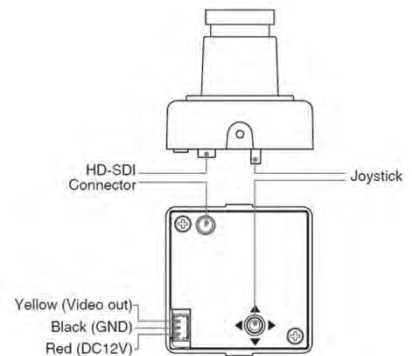
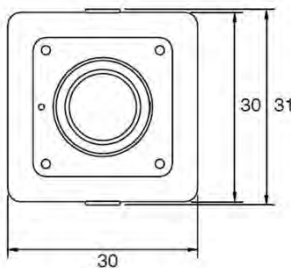
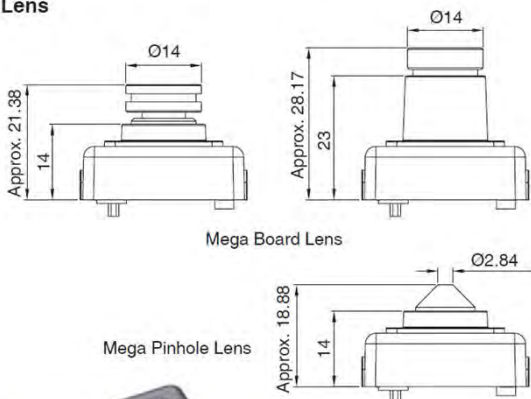
- 1/3" Panasonic 2.4 Mega Pixel CMOS
- 1080P 30fps(25fps) / 720P 60fps(50fps)
- M.Illumination of 0.1 Lux
- WDR, 3-DNR, BLC,
- Super Compact Size Housing by 30x 30

• No words needed. The picture will speak for itself.



DIMENSIONS

Lens



- **HD-30MP**
Caméra avec objectif pinhole discret

Model name	<8' \$A
Image device	1/3" 2.4 Mega Pixel Panasonic CMOS
Effective pixels	1944(H) X 1213(V)
Unit sell size	2.75um(H) x 2.75um(v)
Video Outputs	SD PAL/NTSC composite (auxiliary output) SDI : 1080p 30fps(25fps) / 720p 60fps(50fps)
Mega Pixel Lens	Fixed Board lens : 2.97mm (3Mpx) ,3.7mm(3Mpx), Pinhole Lens :4.3mm (1.3Mpx)
Min. Illumination (AGC Max)	1.7 Lux (F1.6, 50 IRE, ICR OFF) / DSS on : 0.047 Lux 0.17 (F1.6 50 IRE, ICR on) / DSS on : 0.0047 Lux
S/N ratio	50 db
Shutter Speed	Auto, Manual, Selectable
Day & Night	AUTO / Color / BW
3DNR	OFF/ LOW / MIDDLE/ HIGH
WDR/BLC	OFF / BLC/ WDR
White Balance	AUTO / AUTO EXT / PUSH LOCK /MANUAL
AGC	0 ~48 db
OSD	Built In with Joystick
Input Voltage	12V[±10%]
Power	DC12 v Max. 120mA
ETC	Motion Detection, Flip(H/V HV), Defog, HLMASK, Privacy Masking
	DSS (x2,x3,x4,x5,x6,x7,x8), Digital Zoom (1x~20x)
8 ja Ybgjcbg	0mm(H) x 30mm(V)
Temperature /Humidity (no condensing)	Operation : -15 ~55°C / 20 ~80 % Storage : -20 ~ 60°C / 20 ~95%

