



# Long Reach PoE over CAT5e/Coax Extender



Item No. IP09P



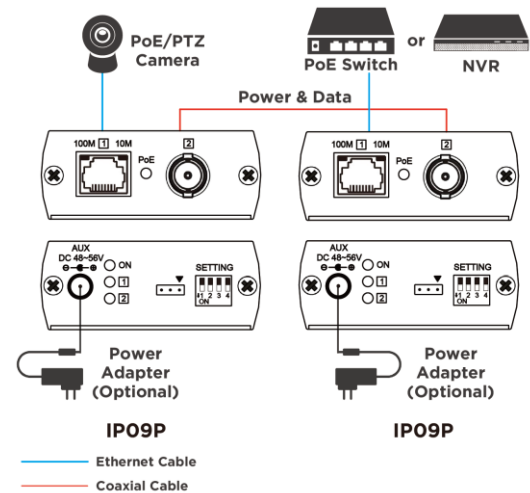
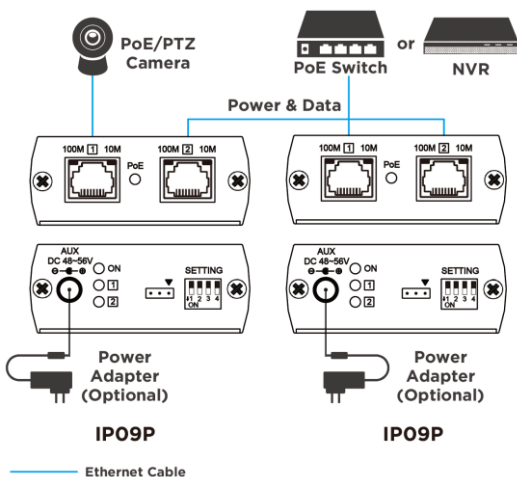
Item No. IP09CP

IP09P/IP09CP is Long-Reach PoE Extender, which can apply in 10/100Mbps Ethernet and PoE extension by CAT5e or Coax cable. IP09P/IP09CP adopts the latest chipset, using the standard Ethernet transmission technique, solving the interference or packet storm issue, and making the transmission more stable and reliable. No matter how many sets IP09P/IP09CP used in one system, they work well.

## Features

- Support up to 100W power supply and IEEE 802.3bt PoE standard.
- Long transmission distance up to 800M at 10Mbps.
- Full data transmission up to 500M at 100Mbps
- Provide 50W power to the device 200M away.
- Support two way power supply, PoE switch or power adapter.
- Compliant to 10BASE-T、100BASE-TX、100BASE-T1 standard.
- Support Full duplex and half duplex mode and Auto MDI/MDI-X switching
- Support EEE Energy-Efficient Ethernet.
- Built-in 30KV ESD protection, 40A EFT protection, 30A surge protection.

## Connection



## Specification

	IP09PT/IP09CPT	IP09PR/IP09CPR
Standard	IEEE 802.3 10BASE-T Ethernet IEEE 802.3u 100BASE-TX Fast Ethernet IEEE 802.3bw 100BASE-T1 Ethernet IEEE 802.3 N-Way Auto-Negotiation IEEE 802.3x Full Duplex Operation and Flow Control IEEE 802.3az Energy Efficient Ethernet IEEE 802.3af Power over Ethernet IEEE 802.3at Power over Ethernet Plus IEEE 802.3bt Power over Ethernet Plus Plus	
Data Rate	10 Mbps / 100 Mbps	
Distance (Max)	Long Reach 10Mbps 800M / Long Reach 100Mbps 500M	
Power Supply	48 ~ 56V Regulated	12 ~ 56V Regulated
Power Consumption	1W	
Ambient Temperature	0 ~ 50°C	
Dimensions	67 x 135 x 27mm	
Weight	215 g	205 g