



Newbridge ND1404G 4X1:1SD/HD/3G-SDI Repeaters with Re-clocking function. These devices receive four SDI input at the same time and perfectly duplicates them. Then they re-transmit four channel SDI outputs for real time multi-viewing. They are reliable video devices splitting four SD-SDI or HD-SDI or 3G-SDI video source to SD-SDI or HD-SDI or 3G-SDI display at the same time and takes four input then re-clocks and equalizes the signal and distributes it to four identical outputs.

ND1404G SD/HD/3G-SDI Repeaters

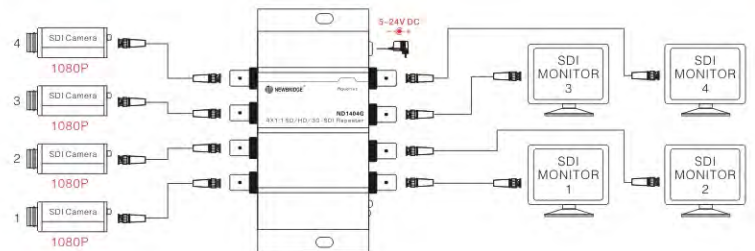
Features

- SDI Standard: 3G-SDI, HD-SDI, SD-SDI
- Data Rates: 270Mbps/1.485 Gbps/2.97Gbps
Signal Type: SMPTE 424M, SMPTE 292M, SMPTE 259M
- Two separately buffered outputs
- Cable equalization (Belden 1694A) retiming and signal
- Re-clocking function capability-unlimited repeater connection
- Dual color LED indication of nput locik and rate
- Pass all ancillary data
- 5V~24V DC

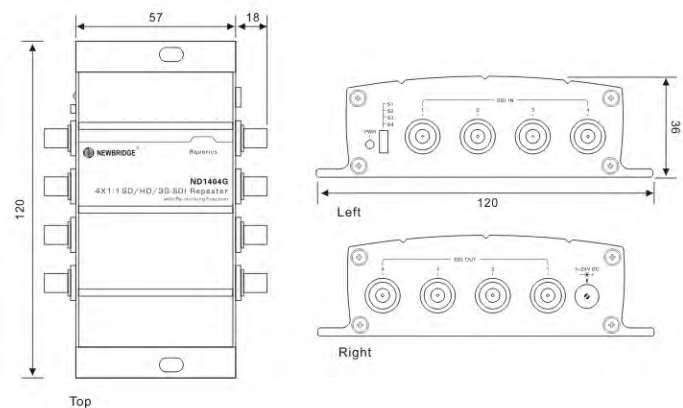
Specifications

Model	ND1404G
Video In	4 piece one SDI port
Video Out	4 piece one SDI port
Input Signal Type	SD-SDI (270Mbps), HD-SDI (1.485Gbps), 3G-SDI(2.97Gbps)
Support Input Format	SD-SDI: 480i, 576i HD-SDI: 720p24/25/30/50/59.94/60 all frame rate; 1080i all frame rate, 1035i all frame rate; 1080p all frame rate 3G-SDI: 1080p all frame rate
SDI Signal Range	0.8V p-p
SDI Impedance	75 ohms
SDI Coupling Type	AC Coupling
Input Power	DC 12V/250mA
Max. Distance	Belden 1694A SD-SDI 400m / 1300ft ; HD-SDI 200m / 600ft ; 3G-SDI 140m / 450ft
Re-clocking	Auto Support 270Mbps/1.485Gbps/2.97Gbps
Power Supply	5V~24V DC
Connection Port	BNC-F (75 Ω)
Operating Temperature	-10° C ~ 60° C / 14° F ~ 140° F
Storage Temperature	-30° C ~ 70° C / -22° F ~ 158° F
Dimension	92 x 119 x 36 mm / 3.62x 2.56 x 1.10 inches
Weight	220g

Application Diagram



Dimensions



Order Information

Part No	Description of product	Unit
ND1404G	4X1:1SD/HD/3G -SDI Repeaters	pcs