



Newbridge ND3108D/ND3108G distribution amplifier could splits a single SDI source data to several video display and simultaneously amplify SDI signal . There is no video signal loss in the switching process. It supports almost all HD video formats which is SMPTE compliant. It can also achieve up to 1080p@60Hz for Full HD video performance perfectly.

In professional application systems, it is specially designed to several digital display terminals to show the same SDI video simultaneously. It is widely applied to surveillance, broadcast TV station, TV media, video conferences, electronic teaching, wired network areas, etc.

ND3108

SD/HD/3G-SDI 1 to 8 Distribution Amplifier

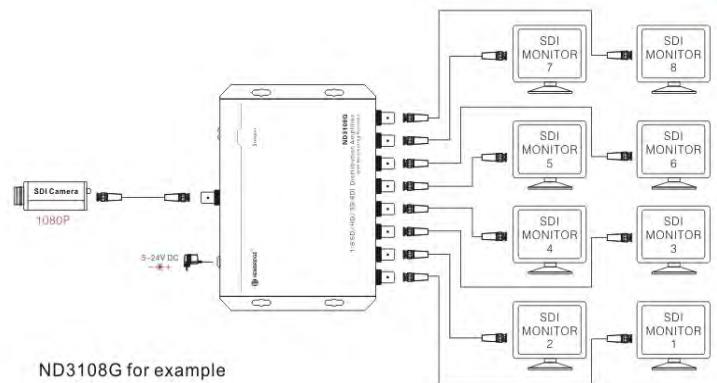
Features

- Support SD-SDI (270Mbps), HD-SDI (1.485Gbps), 3G-SDI (2.97Gbps)
- Full HD video format
- Built-in Cable Equalizer, Re-clocker & Cable Driver
- Max. cable length (Belden 1694A): SD-SDI 400m/1300ft, HD-SDI 200m/600ft, 3G-SDI 140m/450ft
- Excellent SDI signal jitter suppression function
- Power supply and SDI signal format indicator
- Embedded ESD to protect the circuit
- 5V~24V DC

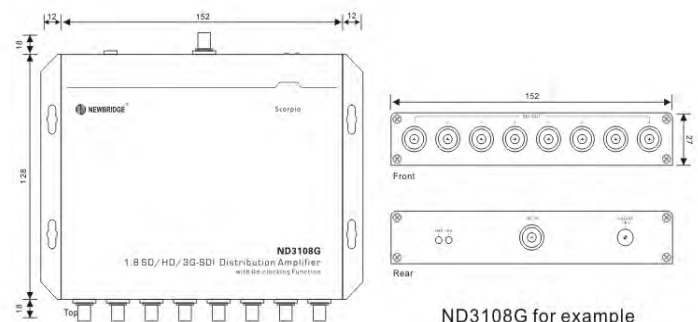
Specifications

Model	ND3108D	ND3108G
Input signal	1x BNC SDI, HD-SDI	1x BNC SDI, HD-SDI, 3G-SDI
Input Signal Type	SD-SDI (270Mbps) HD-SDI (1.485Gbps)	SD-SDI (270Mbps) HD-SDI (1.485Gbps) 3G-SDI (2.95Gbps)
Support Input Format	SD-SDI: 525i@59.94Hz, 625i@50Hz HD-SDI: 720p@23.98Hz/24Hz/25Hz/29.97Hz/ 30Hz@50Hz/59.94Hz/60Hz 1080i: 50Hz/59.94Hz/60Hz 1080p@23.98Hz/24Hz/25Hz/29.97Hz/30Hz	SD-SDI: 525i@59.94Hz, 625i@50Hz HD-SDI: 720p@23.98Hz/24Hz/25Hz/29.97Hz/ 30Hz@50Hz/59.94Hz/60Hz 1080i: 50Hz/59.94Hz/60Hz 1080p@23.98Hz/24Hz/25Hz/29.97Hz/30Hz 3G-SDI: 1080p@50Hz/59.94Hz/60Hz
Video Standard	SMPTE 424M, SMPTE 292M and SMPTE 259M ITU-R BT.601, ITU-R BT.1120	
SDI Signal Range	0.8V p-p	
SDI Impedance	75 ohms	
SDI Coupling Type	AC Coupling	
Max. Input Coax Length	Belden 1694A SD-SDI 400m / 1300ft ; HD-SDI 200m / 600ft ; 3G-SDI 140m / 450ft	
Output signal	8x BNC SD-SDI, HD-SDI	8x BNC SD-SDI, HD-SDI, 3G-SDI
Re-clocking	Auto Support 270Mbps/1.485Gbps	Auto Support 270Mbps/1.485Gbps/2.97 Gbps
Power Supply	5V~24V DC / Locking Power Connector	
Power Consumption	6 Watts (max)	
Operating Temperature	-10° C ~ 60° C / 14° F ~ 140° F	
Storage Temperature	-30° C ~ 70° C / -22° F ~ 158° F	
Relative Humidity	20~90% RH (Non-condensation)	
Dimension	176 x 152 x 30mm / 6.97 x 5.98 x 1.18 inches	176 x 155 x 30mm / 6.97 x 6.10 x 1.18 inches
Weight	480g	490g

Application Diagram



Dimensions



Order Information

Part No	Description of product	Unit
ND3108D	SD/HD-SDI 1 to 8 Distribution Amplifier	pcs
ND3108G	SD/HD/3G-SDI 1 to 8 Distribution Amplifier	pcs